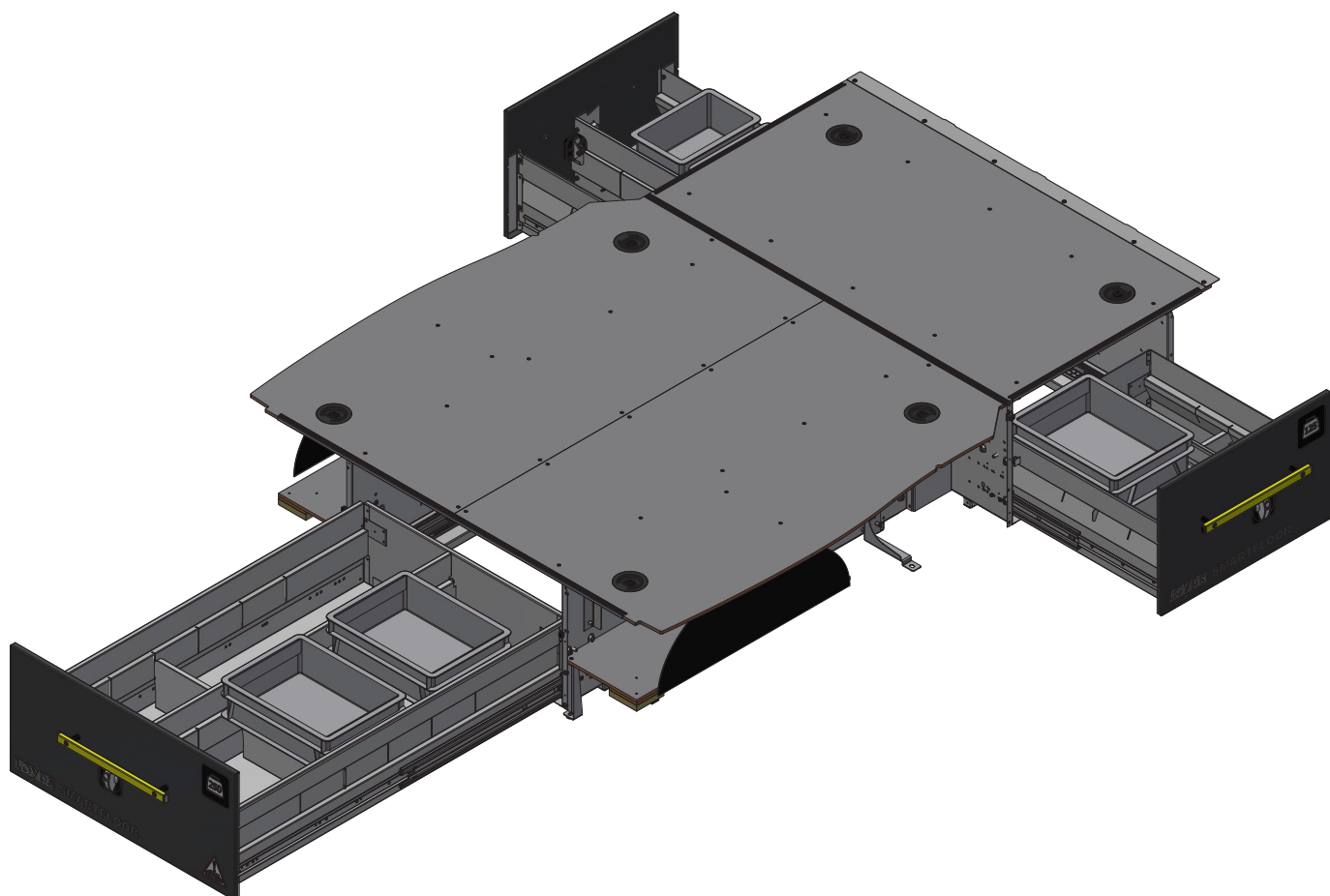


Kia PV5

Smartfloor Kit Complete 2SLD



Installation Manual 15029912_A

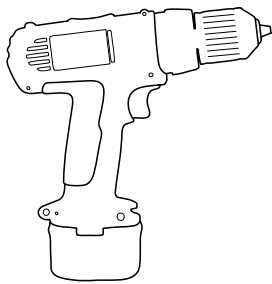
Loyds Industri AS - 2026-06-01

LOYDS

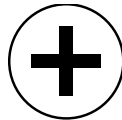
Revision Record

| Rev nr | Date | Page | Picture | Update | New | Deleted steps |
|--------|------------|------|---------|--------|-----|---------------|
| A | 2026-06-01 | | | | X | |
| | | | | | | |
| | | | | | | |
| | | | | | | |

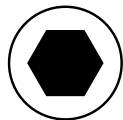
Tools



TX20
TX25
TX30



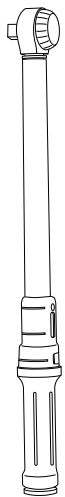
PH2



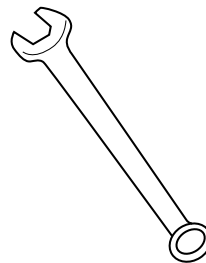
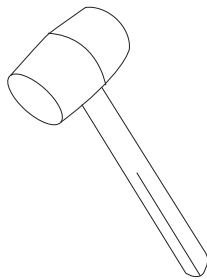
6 mm



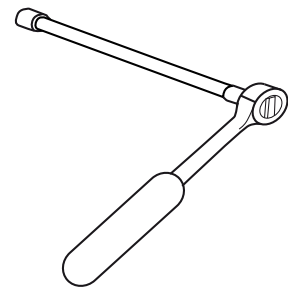
6 mm



6 mm: 6 NM
8 mm: 25 NM



10 mm
13 mm

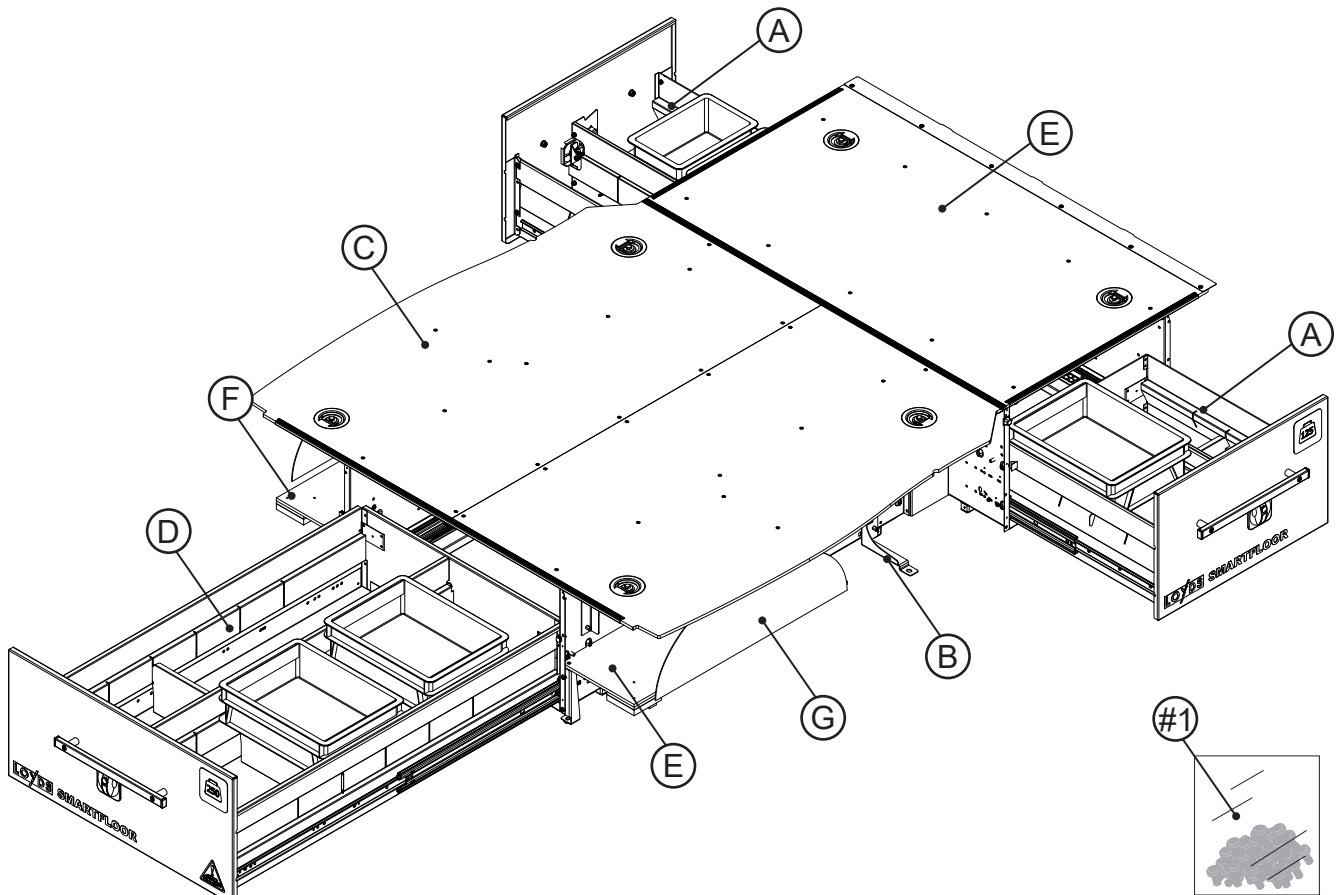


10 mm
13 mm



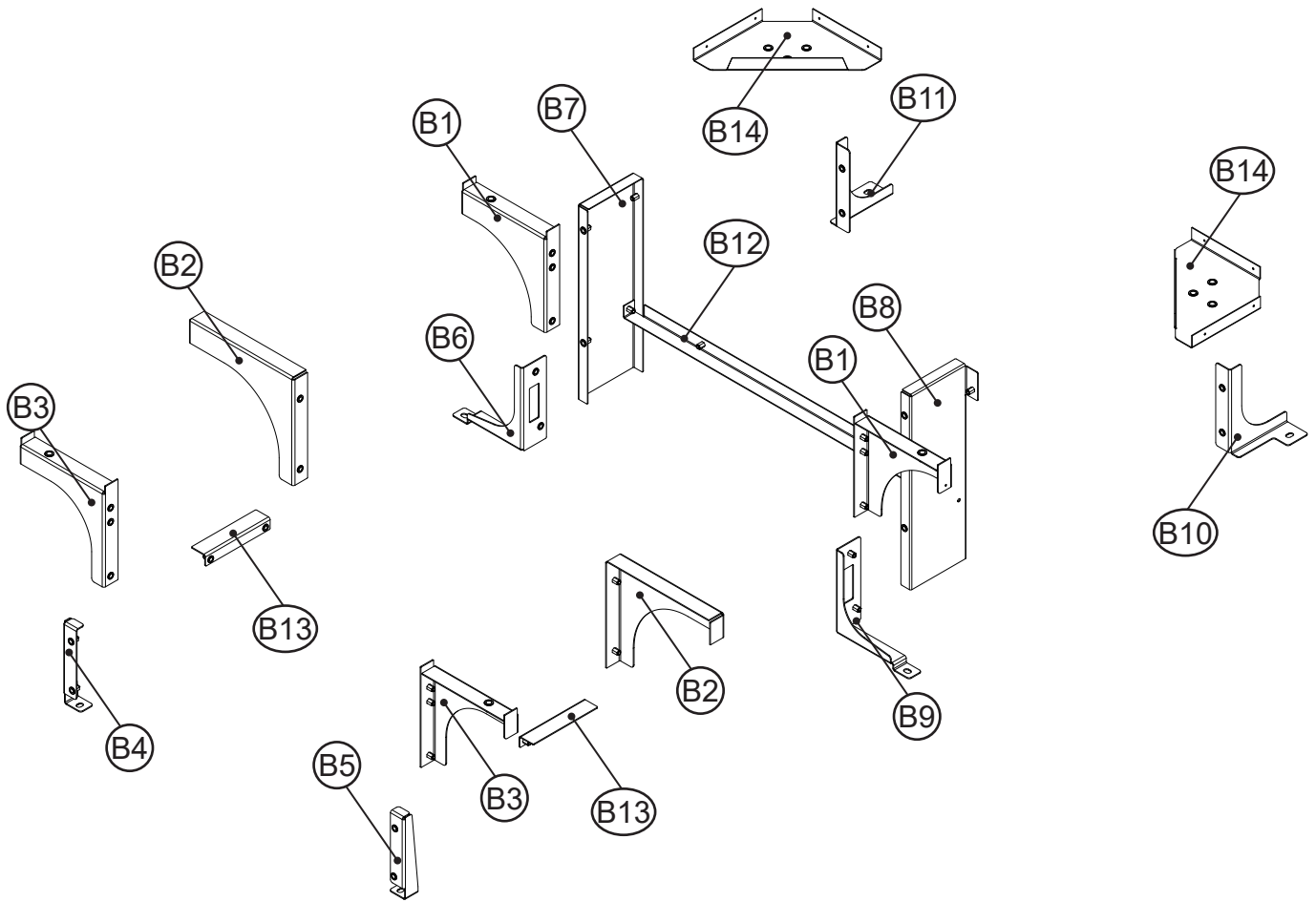
Use colors when printing this installation manual. / Ved utskrift, bruk farger.

15029828 Kit Complete SF KIA PV5 2SLD



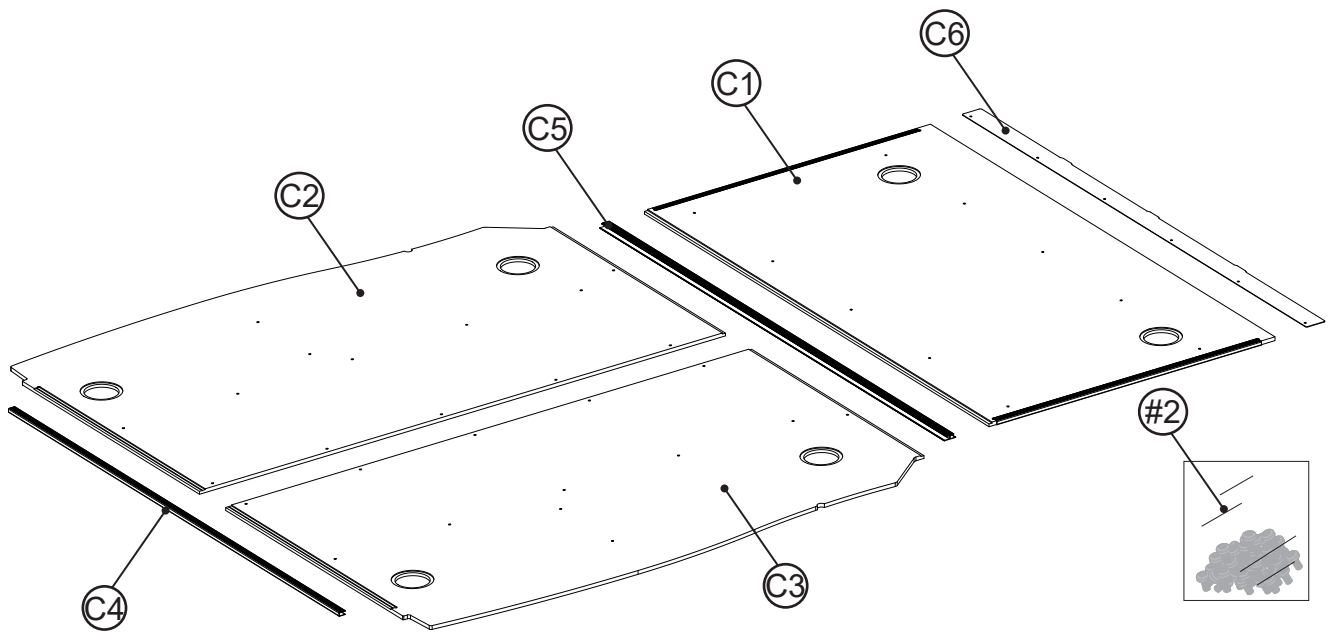
| Number | Quantity | Part Number | Definition |
|--------|----------|-------------|---------------------------------------|
| A | 1 | 15029829 | FD2 Drawer W500 L600 ASSY |
| B | 1 | 15029854 | SF Bracket Kit KIA PV5 |
| C | 1 | 15029855 | SF KIA PV5 Floor Kit |
| D | 1 | 15021294 | Front Drawer FD1 W770 L1200 Main ASSY |
| E | 1 | 15029942 | SF KIA PV5 Shelf ASSY RH |
| F | 1 | 15029943 | SF KIA PV5 Shelf ASSY LH |
| G | 2 | 15029946 | Felt Mat Cutout for hjulhus KIA PV5 |
| #1 | 1 | 15029940 | SF KIA PV5 Fitting Kit |

15029854 SF Bracket Kit KIA PV5



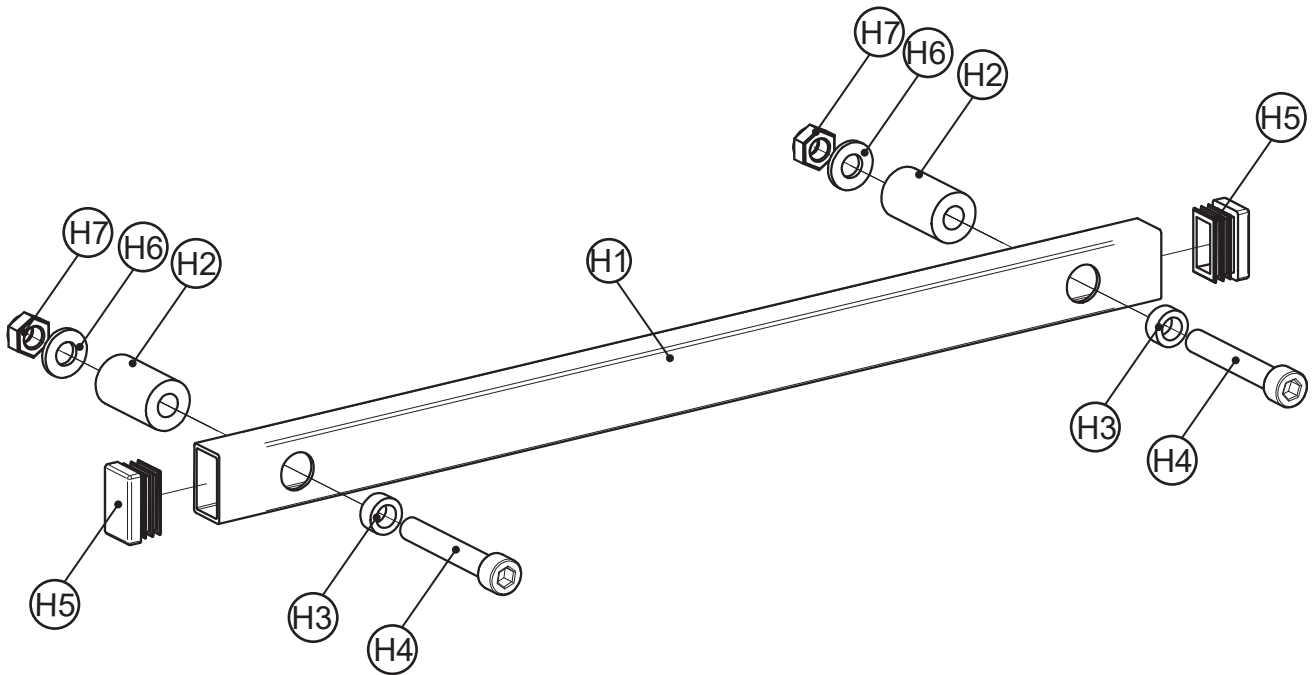
| Number | Quantity | Part Number | Definition |
|--------|----------|-------------|---|
| B1 | 2 | 15029835 | SF Bracket Latchcup Side M8 Extended ASSY |
| B2 | 2 | 15029837 | SF Bracket Side Floor Support ASSY |
| B3 | 2 | 15029938 | SF Bracket Latchcup Side M8 Extended Black ASSY |
| B4 | 1 | 15029851 | SF KIA PV5 Rear Bracket LH ASSY |
| B5 | 1 | 15029853 | SF KIA PV5 Rear Bracket RH ASSY |
| B6 | 1 | 15029844 | SF Middle Bracket LH KIA PV5 ASSY |
| B7 | 1 | 15029848 | SF KIA PV5 Spacer Bracket LH ASSY |
| B8 | 1 | 15029850 | SF KIA PV5 Spacer Bracket RH ASSY |
| B9 | 1 | 15029846 | SF Middle Bracket RH KIA PV5 ASSY |
| B10 | 1 | 15029842 | SF Bracket Front RH KIA PV5 ASSY |
| B11 | 1 | 15029840 | SF Bracket Front LH KIA PV5 ASSY |
| B12 | 1 | 15029939 | Stiffener Bracket ASSY KIA PV5 |
| B13 | 2 | 15029941 | KIA PV5 Shelf Angle ASSY |
| B14 | 2 | 15018460 | Bracket Latch Inner 8mm ASSY |

15029855 SF Kia PV5 Floor Kit



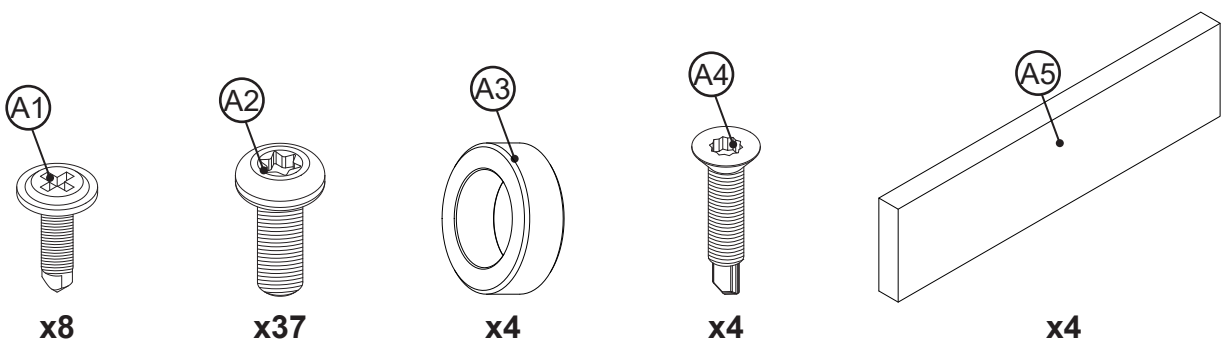
| Number | Quantity | Part Number | Definition |
|--------|----------|-------------|------------------------------|
| C1 | 1 | 15029860 | SF KIA PV5 Front Floor Assy |
| C2 | 1 | 15029857 | SF KIA PV5 Rear Floor Left |
| C3 | 1 | 15029858 | SF KIA PV5 Rear Floor Right |
| C4 | 1 | 15022754 | U-profile 9mm L=1260 |
| C5 | 1 | 15029861 | H-Profile 9mm L=1314 |
| C6 | 1 | 15029932 | SF KIA PV5 Floor Cover Plate |
| #2 | 1 | 15029856 | SF KIA PV5 Floor Fitting Kit |

15010236 Handle Assy



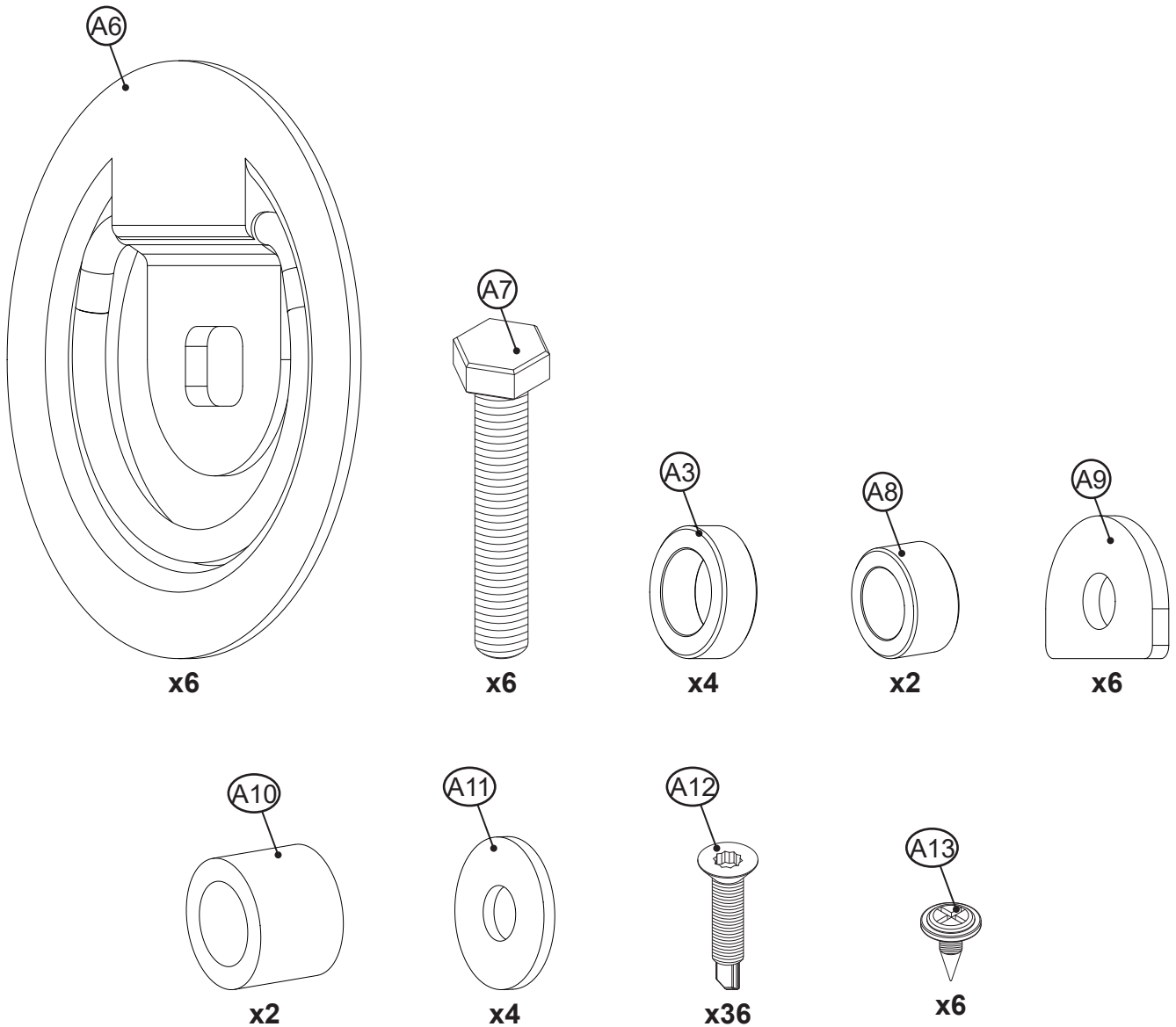
| Number | Quantity | Part Number | Definition | |
|--------|----------|-------------|------------------------|-------------------------------|
| H | H1 | 2 | 15009441 | Handle Tube 25x15x286 |
| | H2 | 2 | 15009443 | Spacer Ø8,3x18x30 Nylon Black |
| | H3 | 2 | 15009443 | Spacer Ø8,1x13x6mm Galv |
| | H4 | 2 | 15009444 | Screw M8x50 Cylinderh Hex |
| | H5 | 2 | 15009438 | End sleeve Black |
| H6 | 2 | 8,4x17x2 | M8 Washer, DIN 125 | |
| H7 | 2 | 8 NMU | Mutter M8 Nyloc DIN985 | |

#1 15029940 SF KIA PV5 Fitting Kit



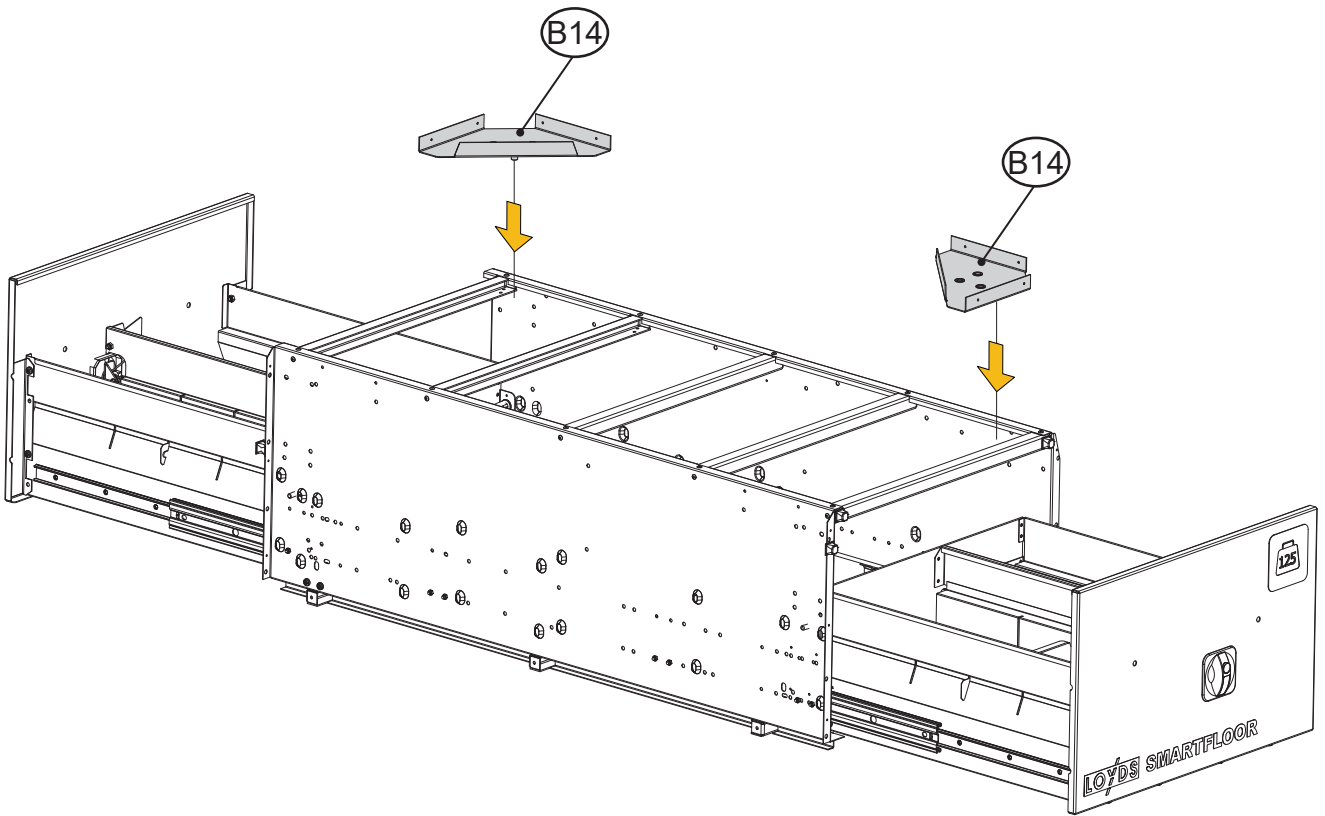
| | |
|-----------|---|
| A1 | 4,2x16 FLS Platescrew selfdrilling E45759 Black |
| A2 | 15003551 M6x16 TX30 pan (DIN 7985) |
| A3 | 13x20x6,4 Spacer, U-709 |
| A4 | 15010652 Spacer Ø8,3x18x20 Nylon Black |
| A5 | 15001818 3M Duallock Borrelås 25x100mm |

#2 15029856 SF Kia PV5 Floor Fitting Kit

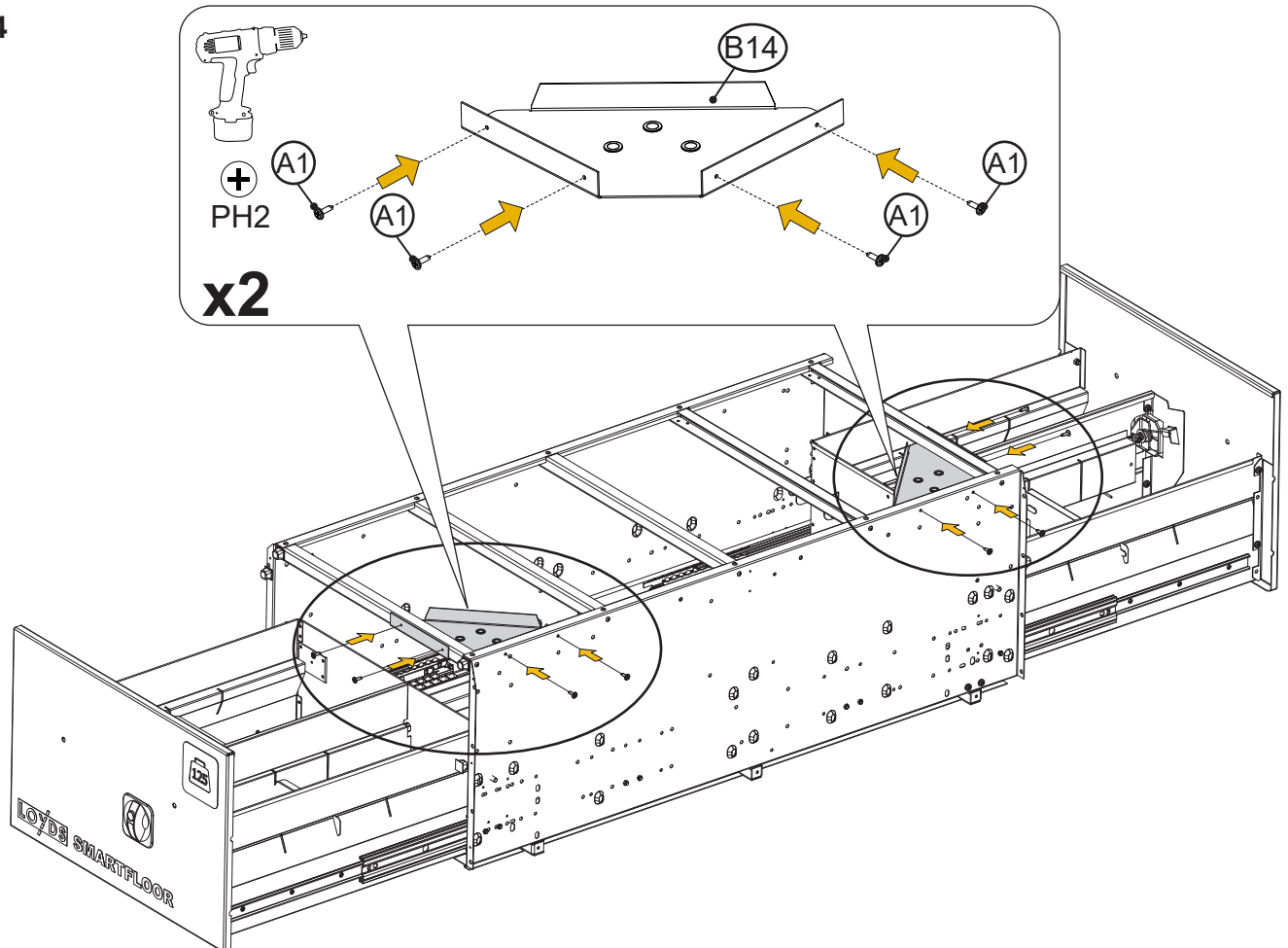


| | |
|------------|---|
| A6 | 15005497 Latch Cup Black Ø90 Ø12x15 1000Kp |
| A7 | 15004713 M8x50 screw, 6K DIN 933 Black, ElZn+Cr3 |
| A3 | 13x20x6,4 Spacer, U-709 |
| A8 | 13x20x10 Spacer, U-710 |
| A9 | 15005884 Washer Latchcup for Ø8 |
| A10 | 15001584 Distansehylse D20 d13 h15 |
| A11 | 15004714 Washer 8,4x23x2mm DIN 9021 Black, ElZn+Cr3 |
| A12 | 15016947 Screw 4,8x25 Selfdrill Counters Torx Elz |
| A13 | 4,2x13 S Screw 4,2x13 Flathead Needle Black |

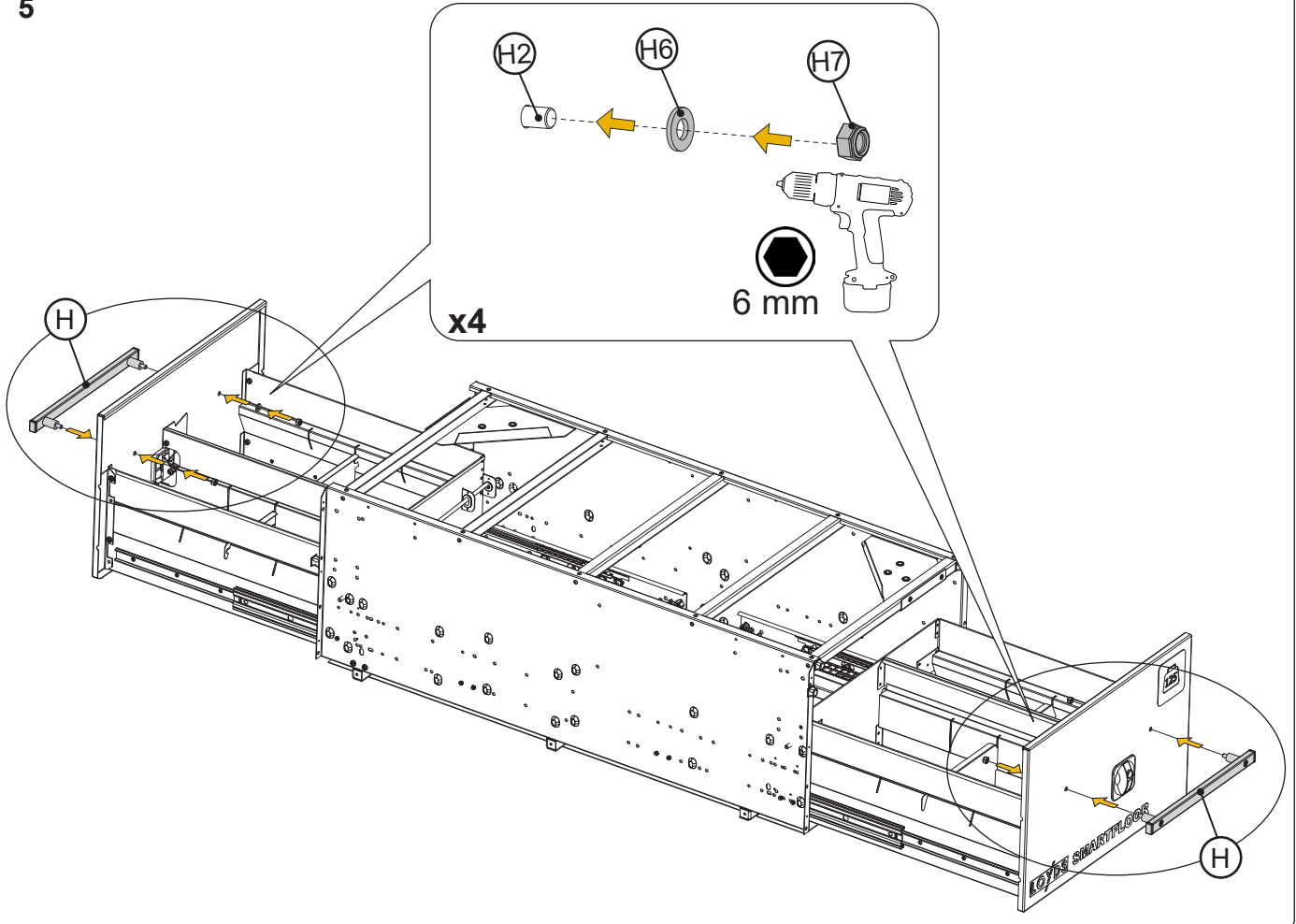
3



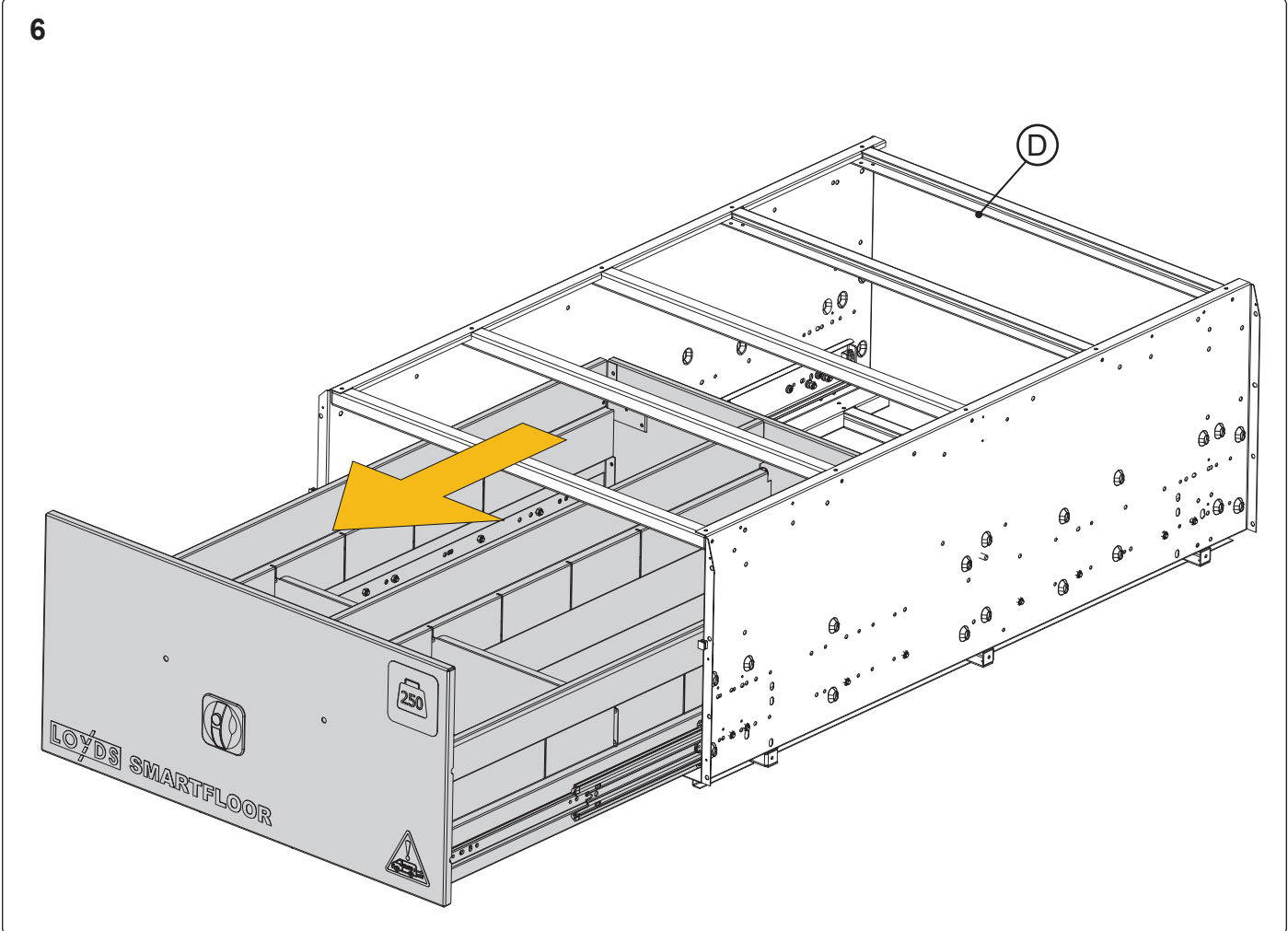
4



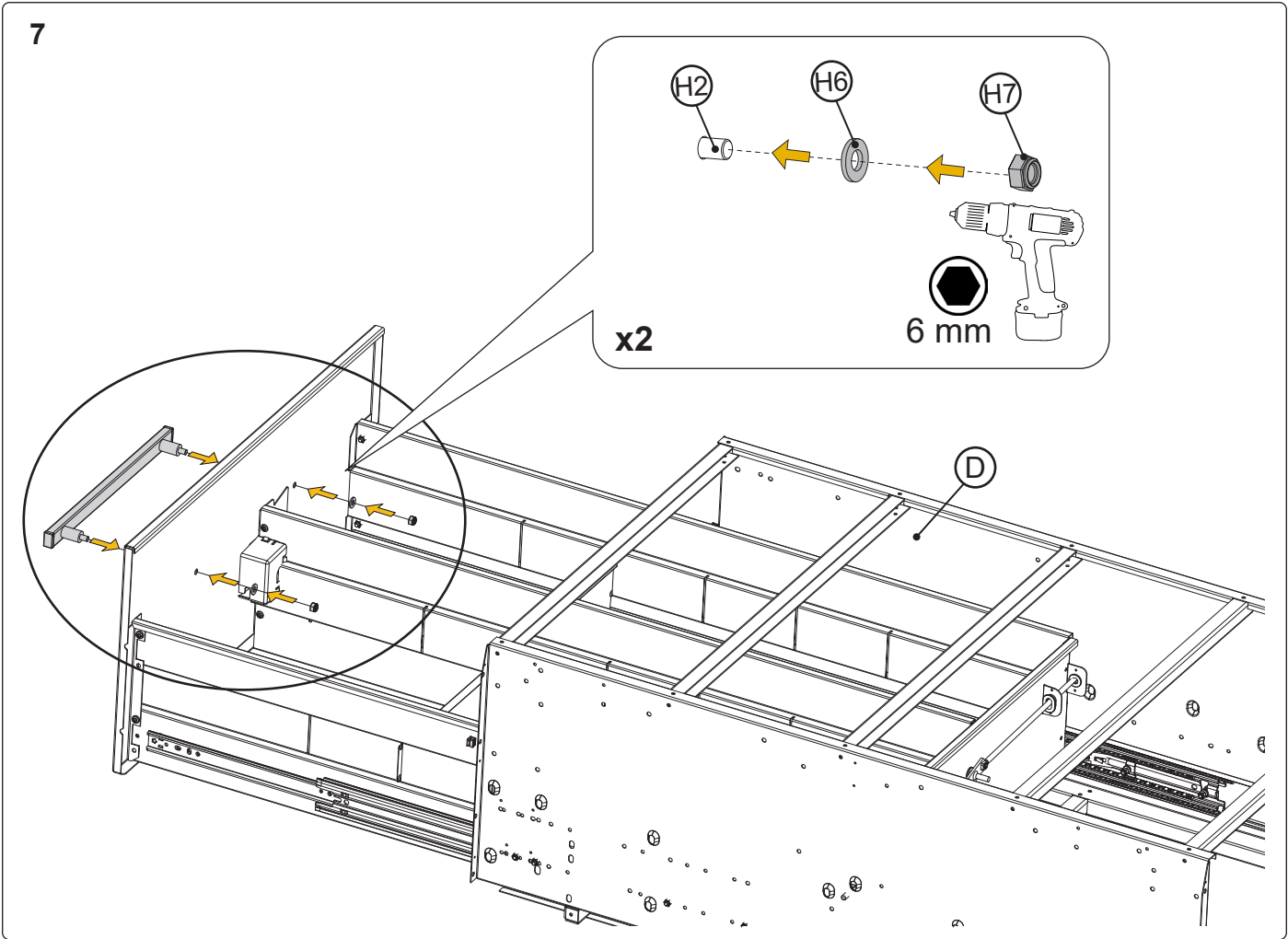
5



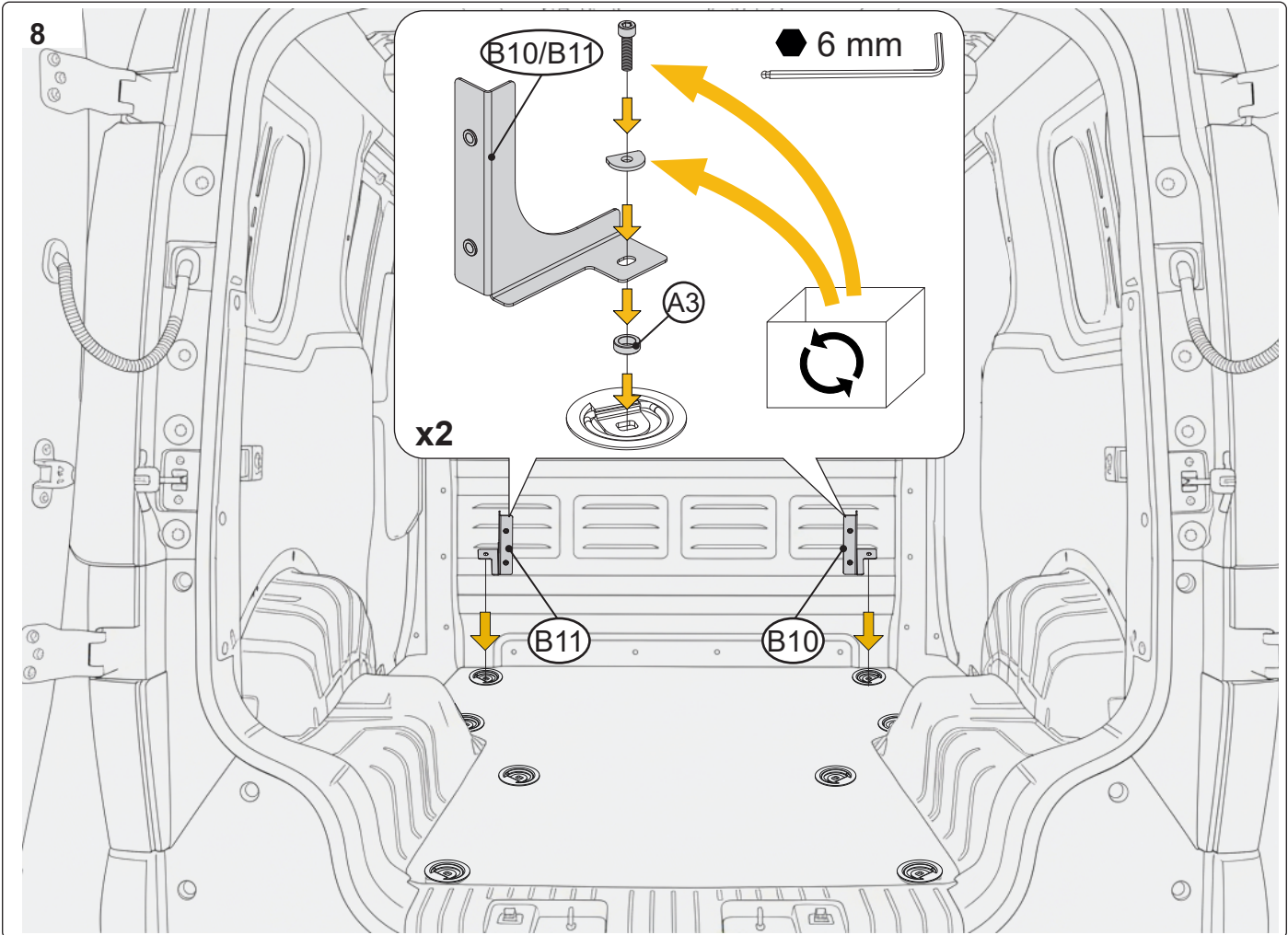
6

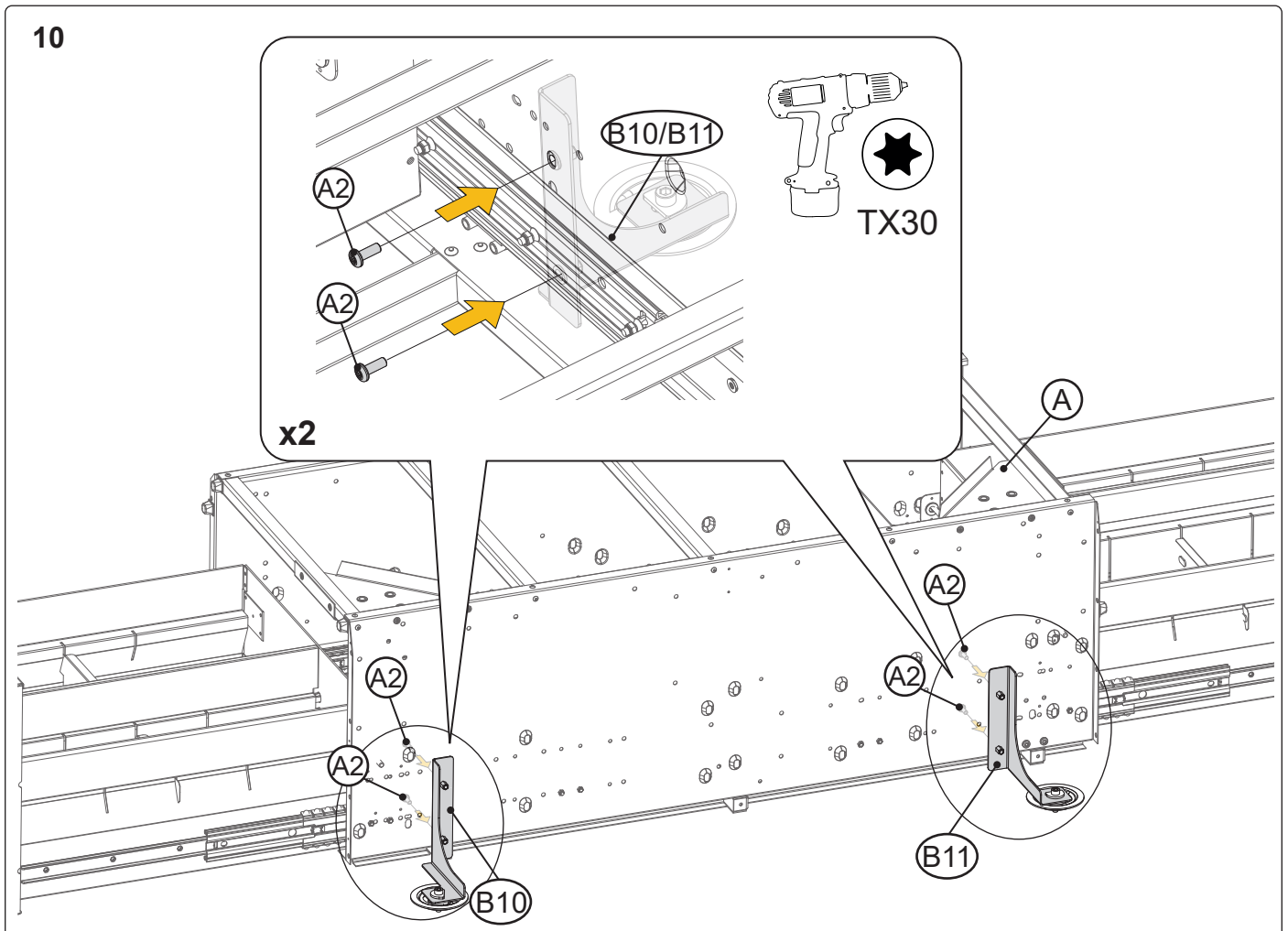
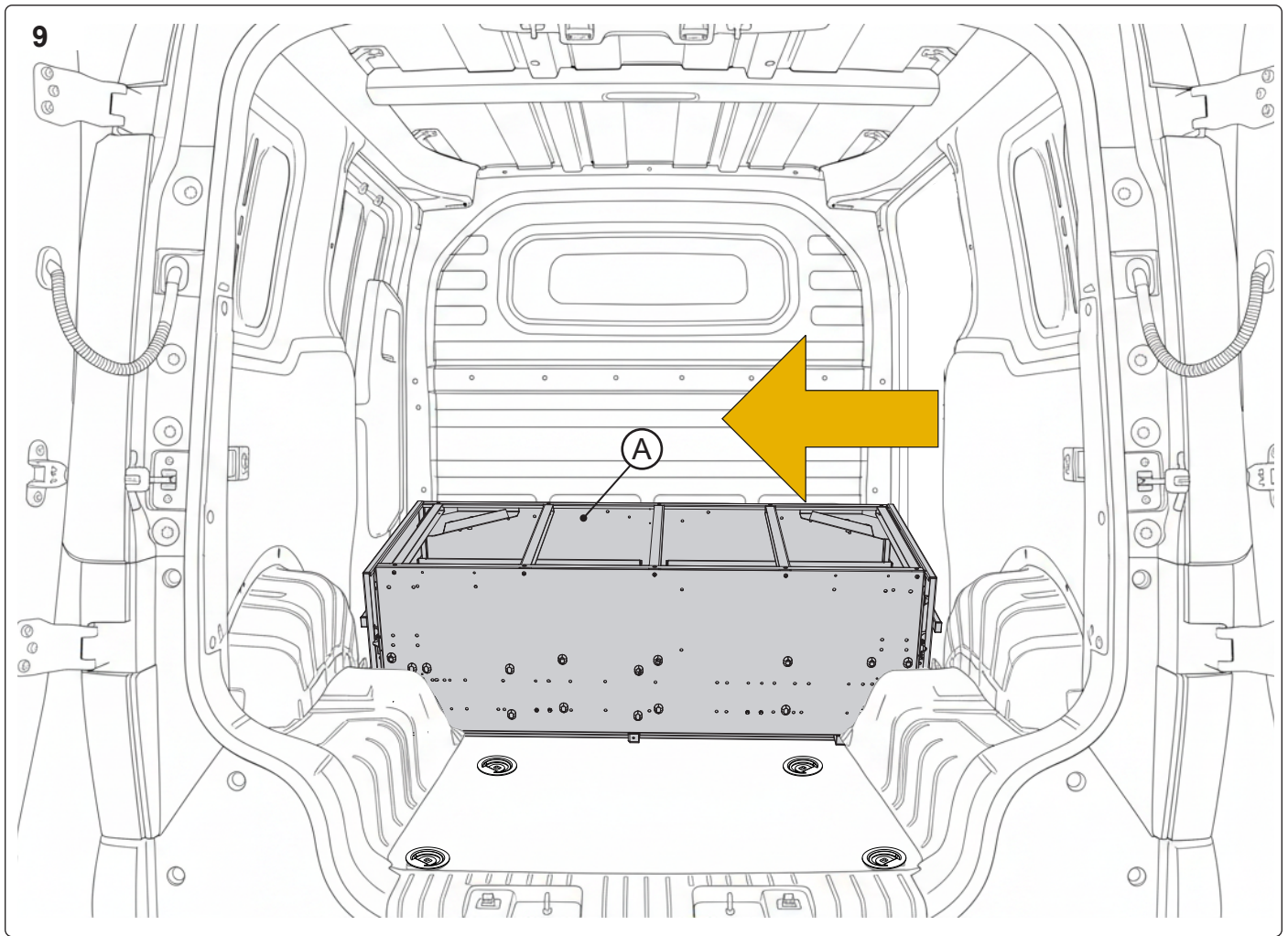


7

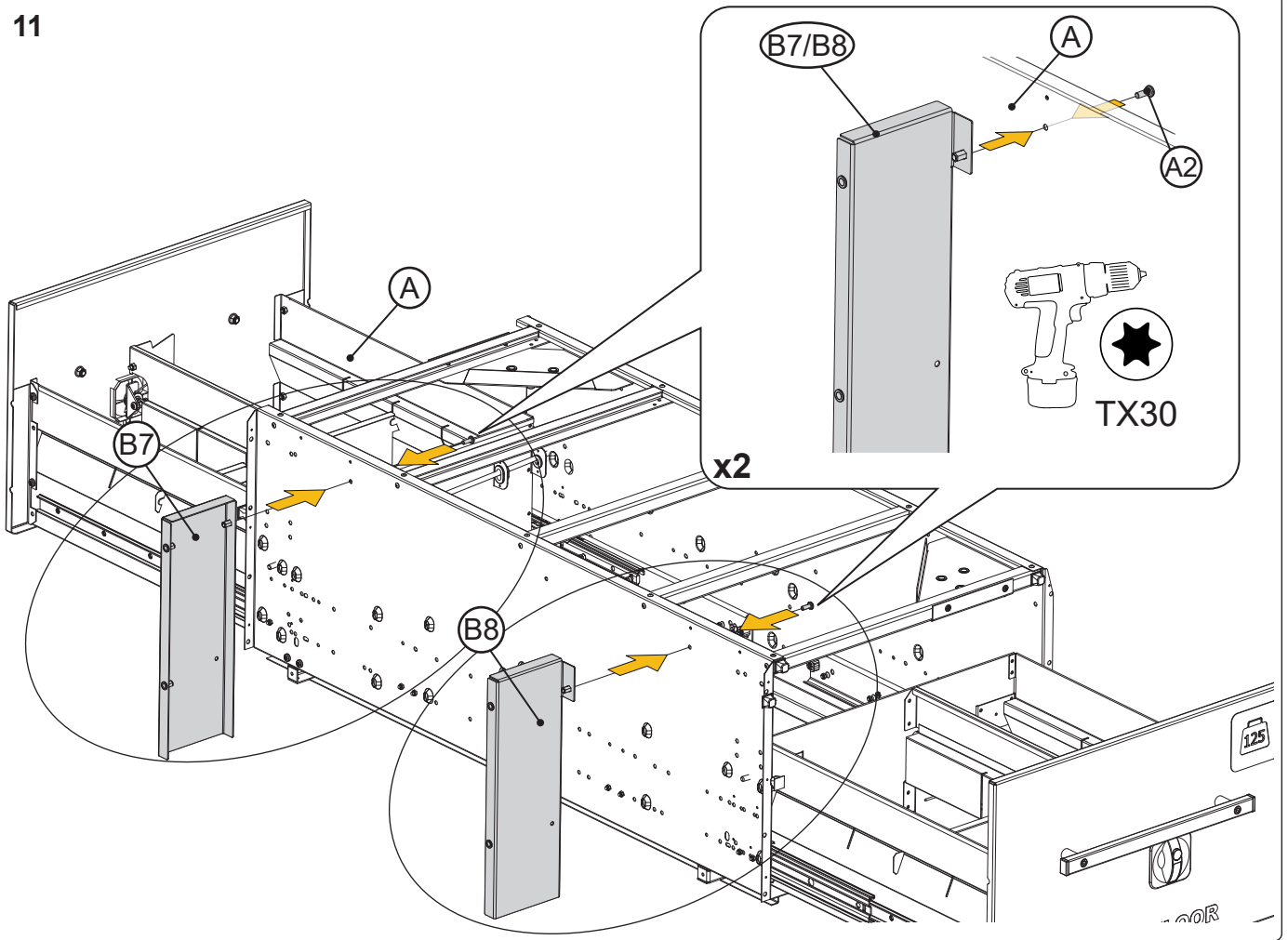


8

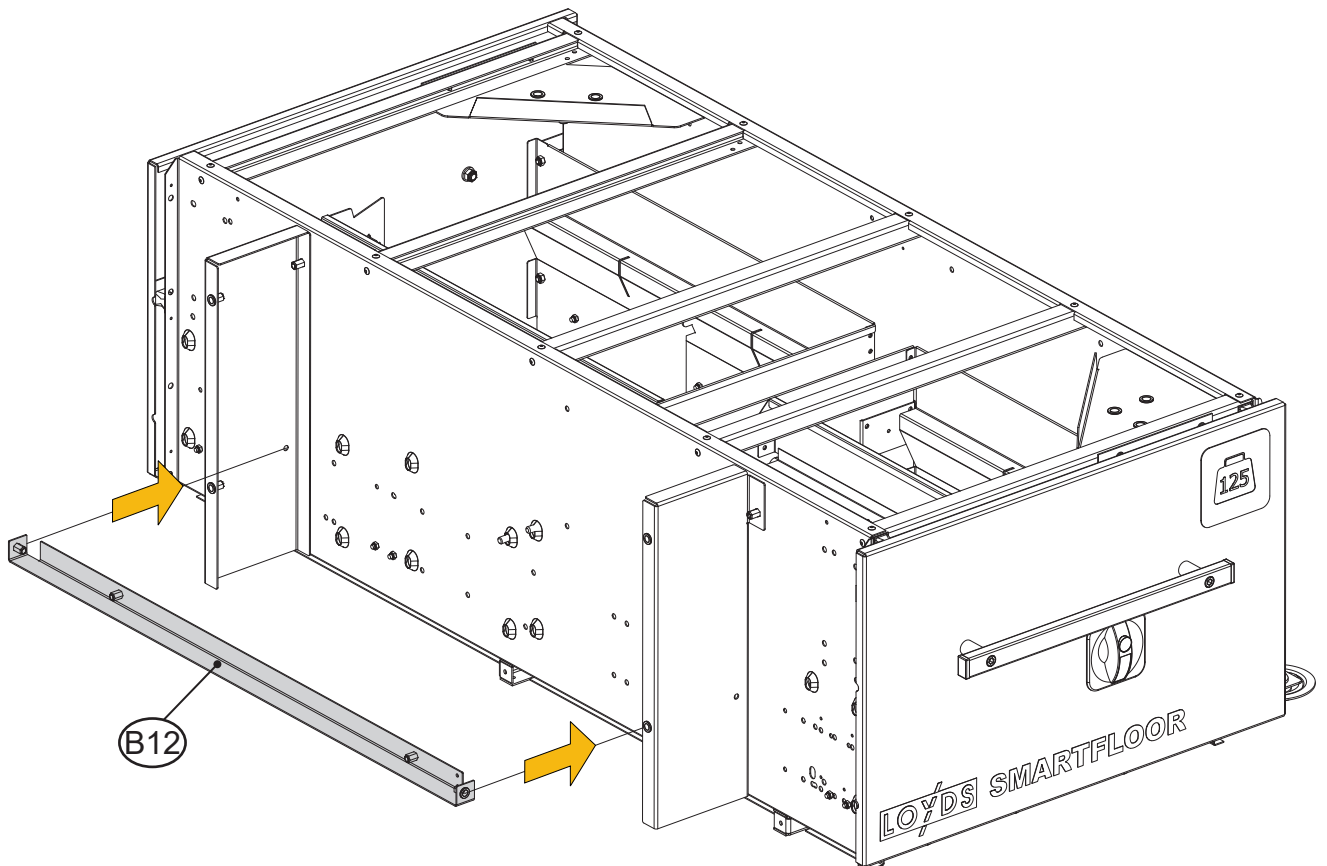




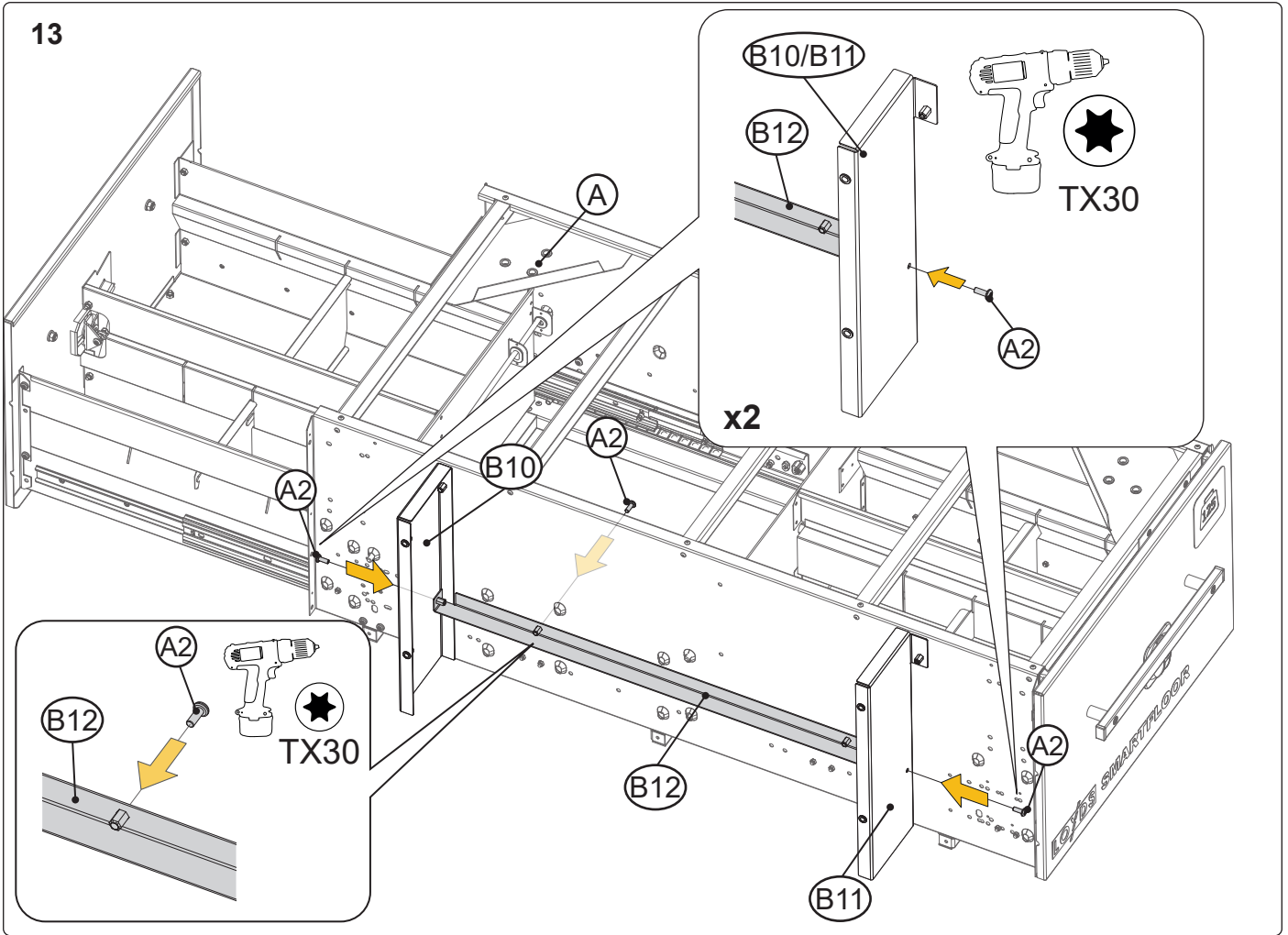
11



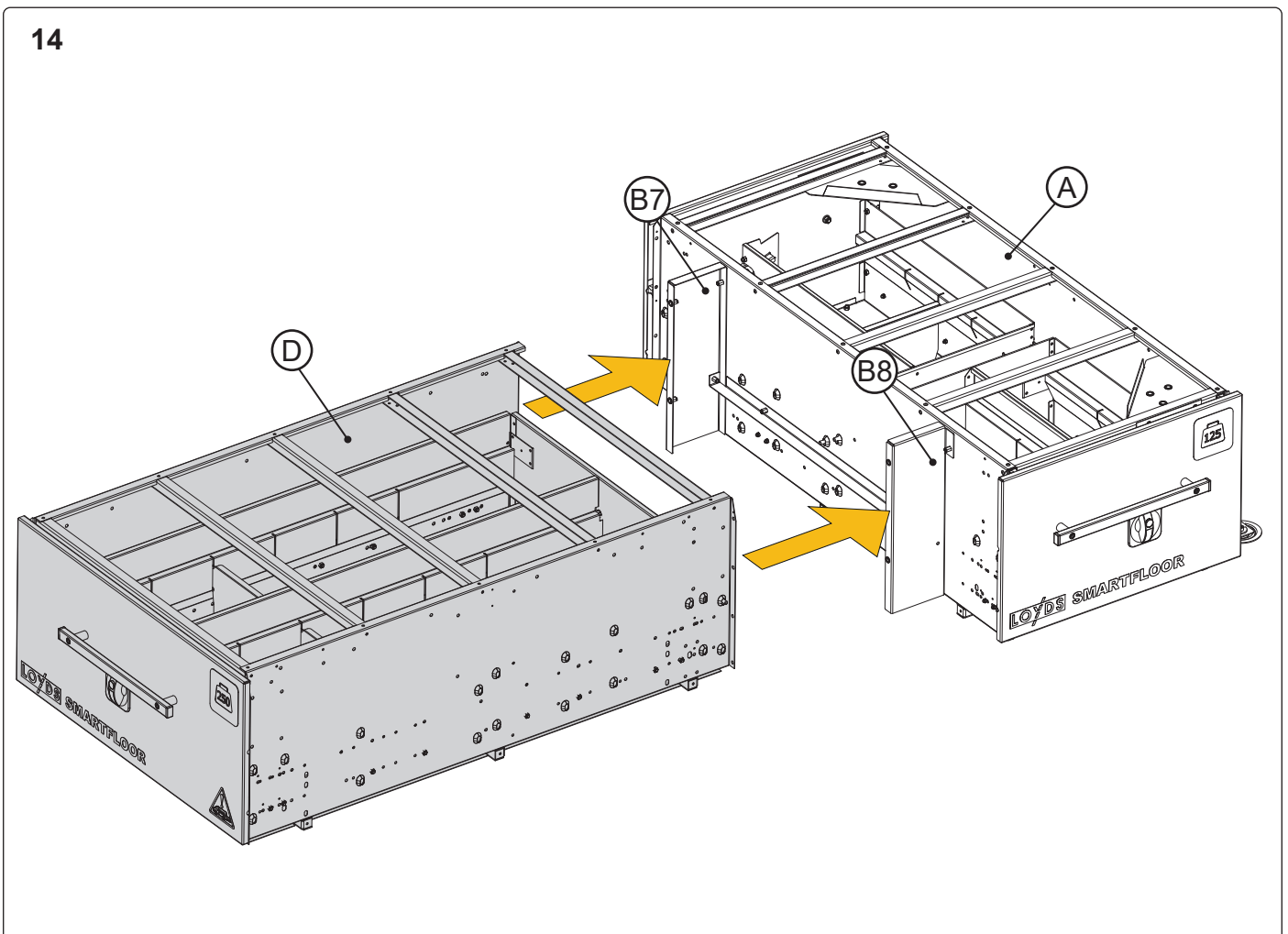
12



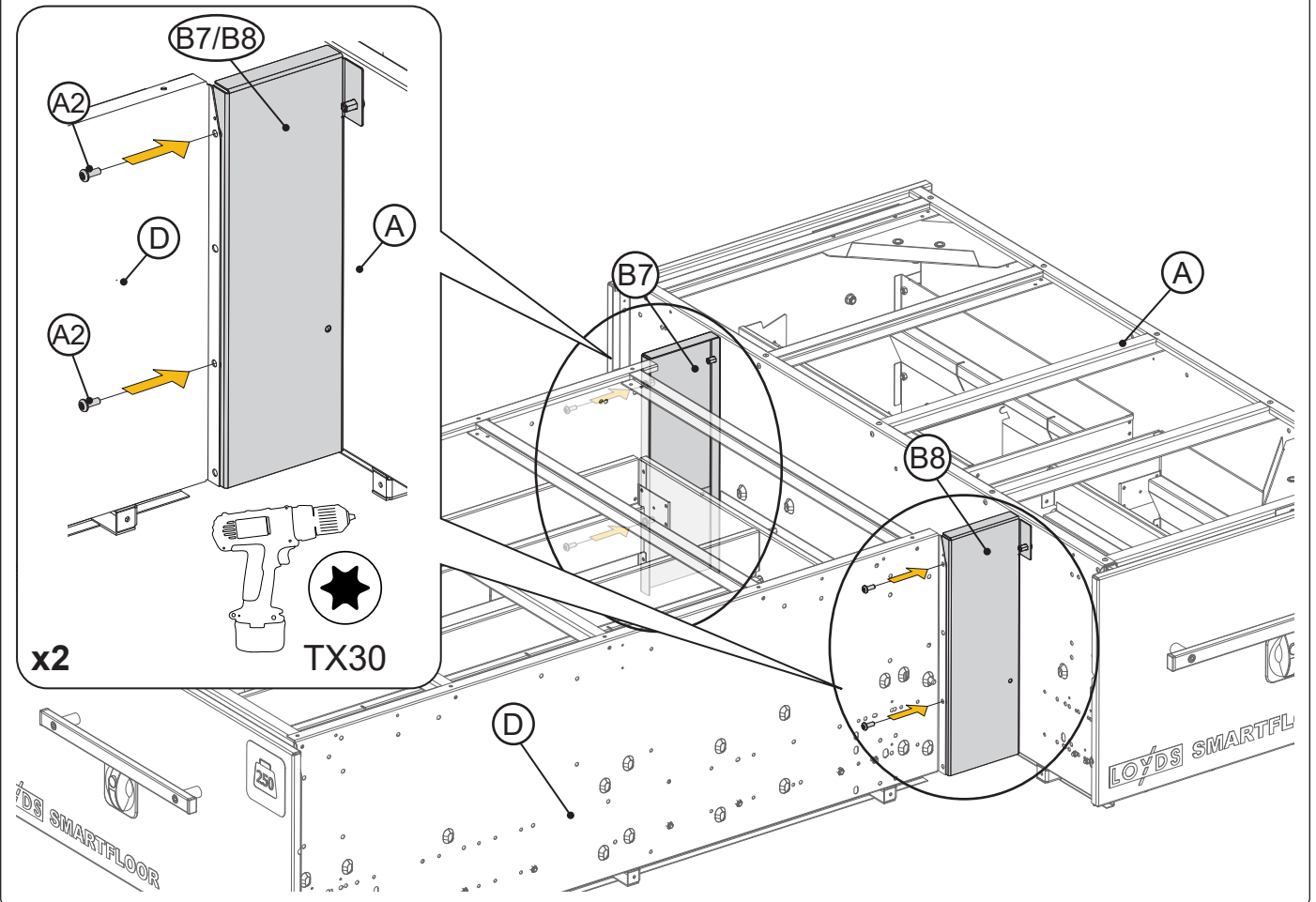
13



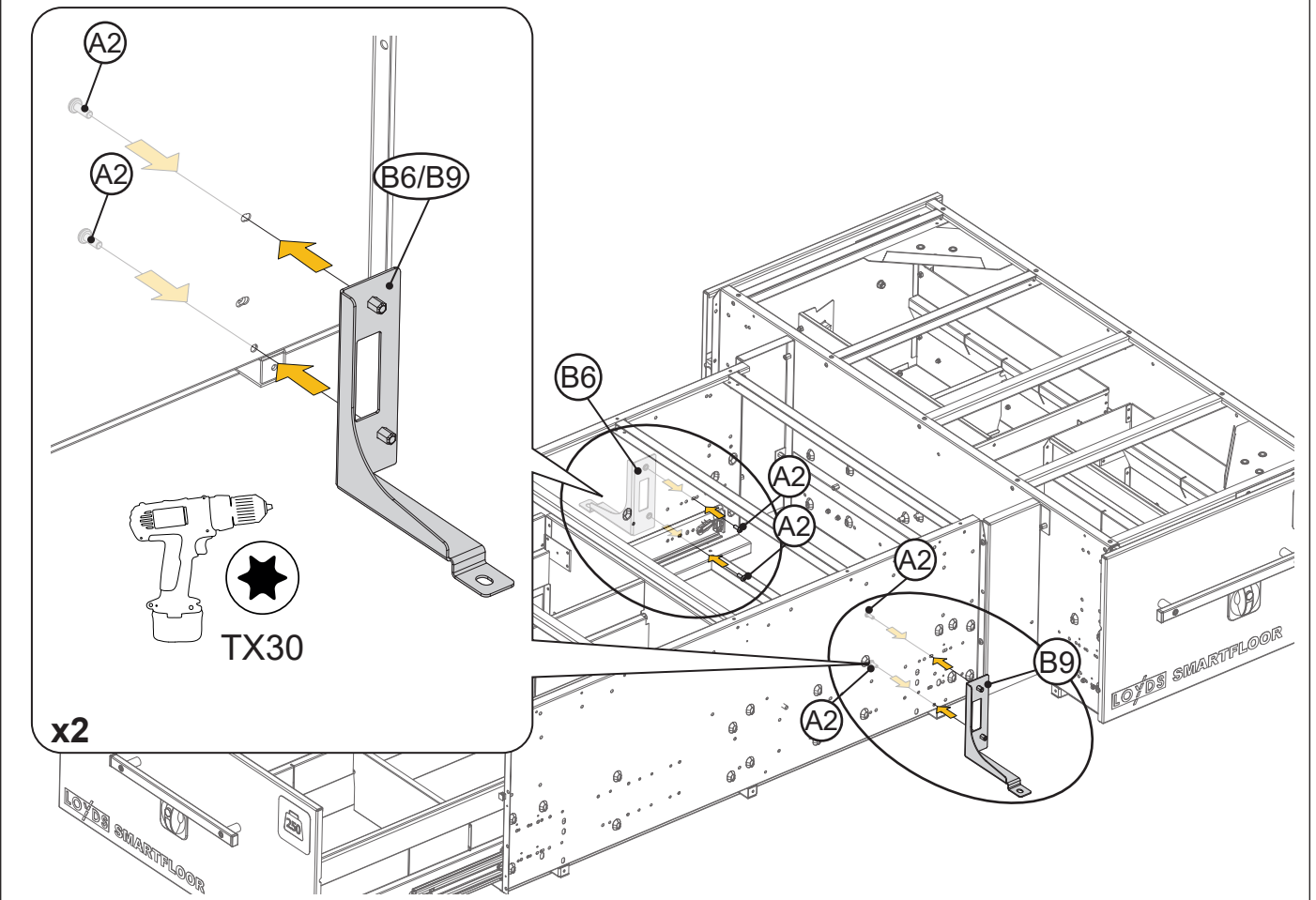
14



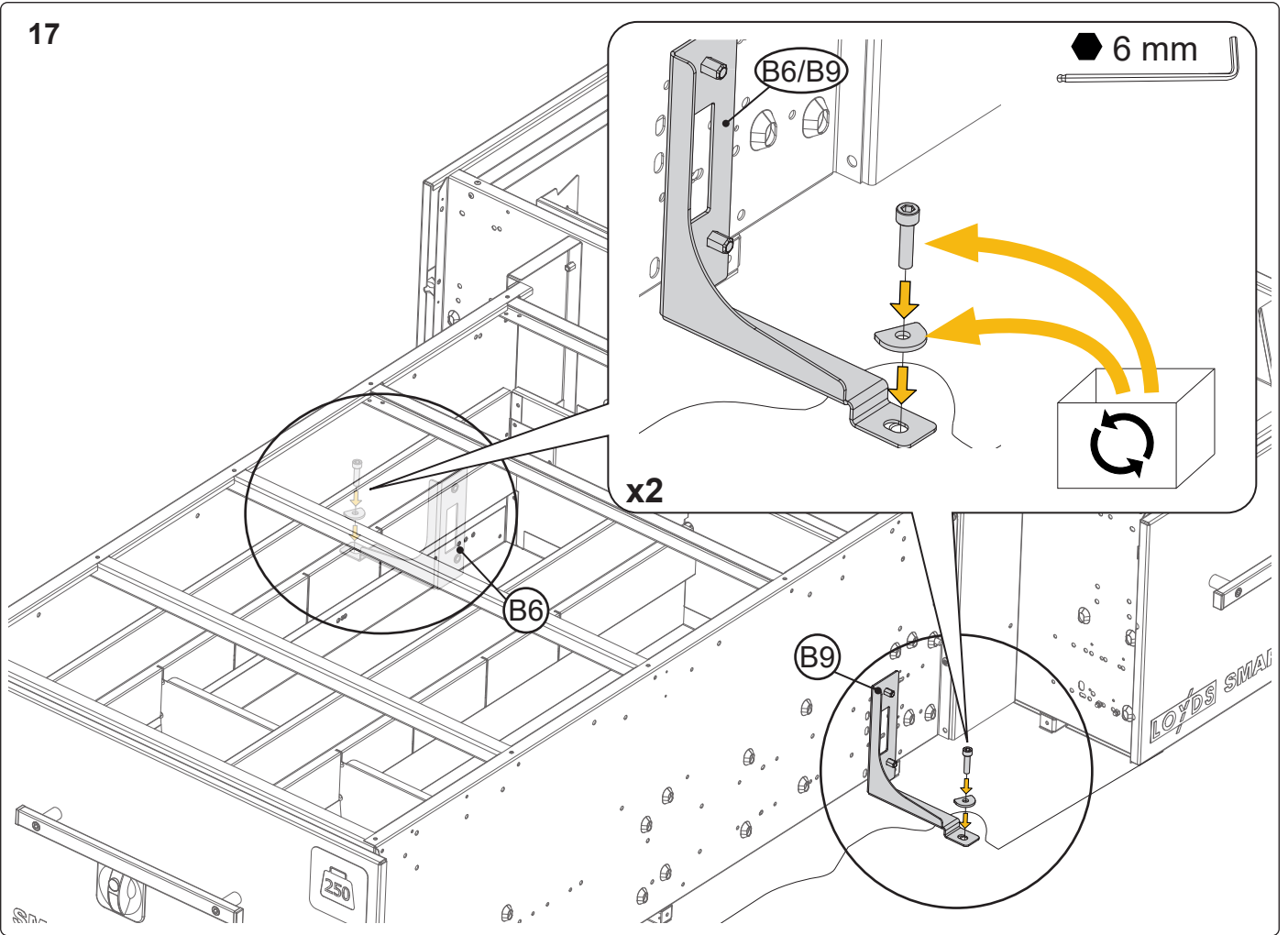
15



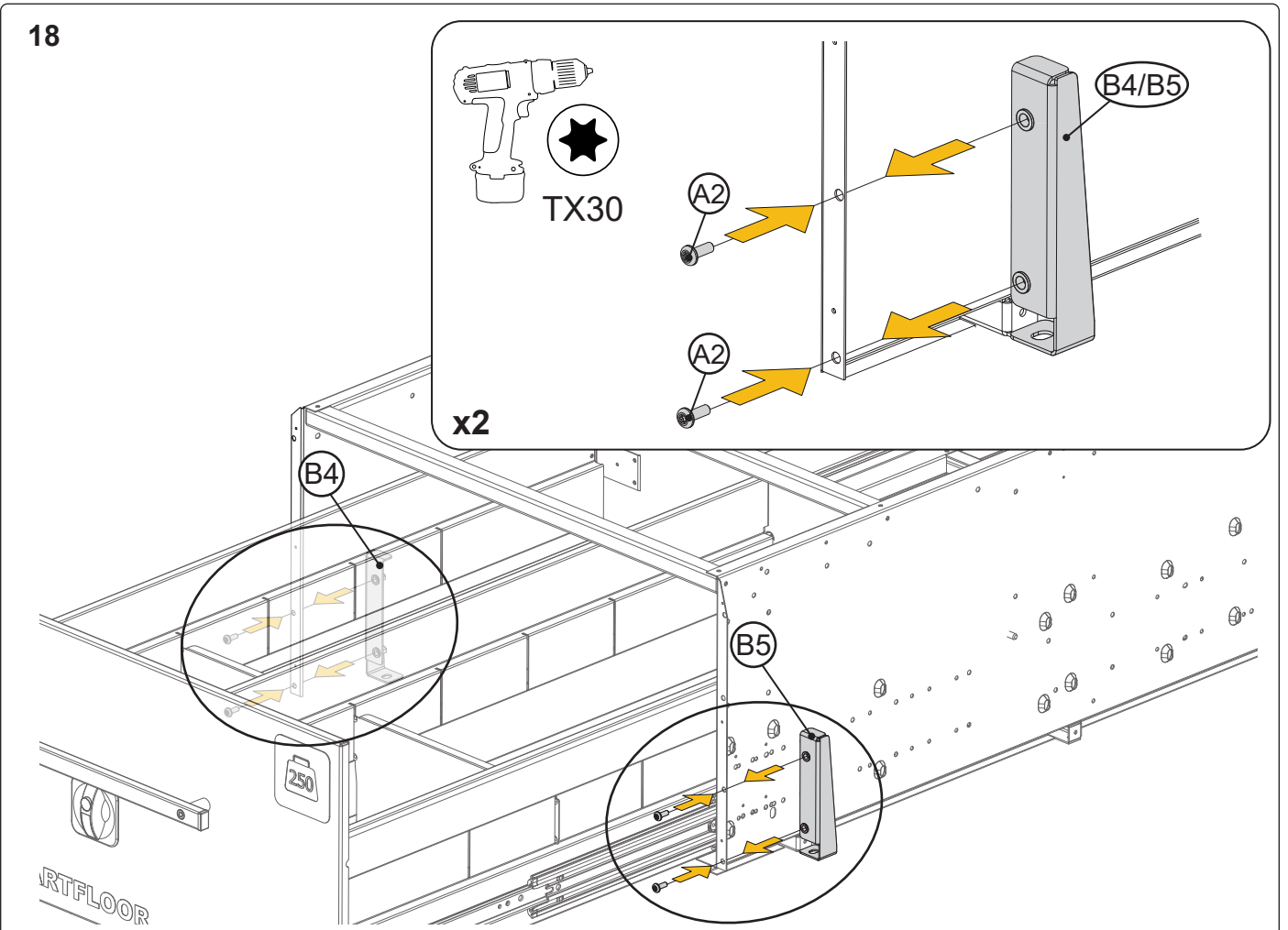
16



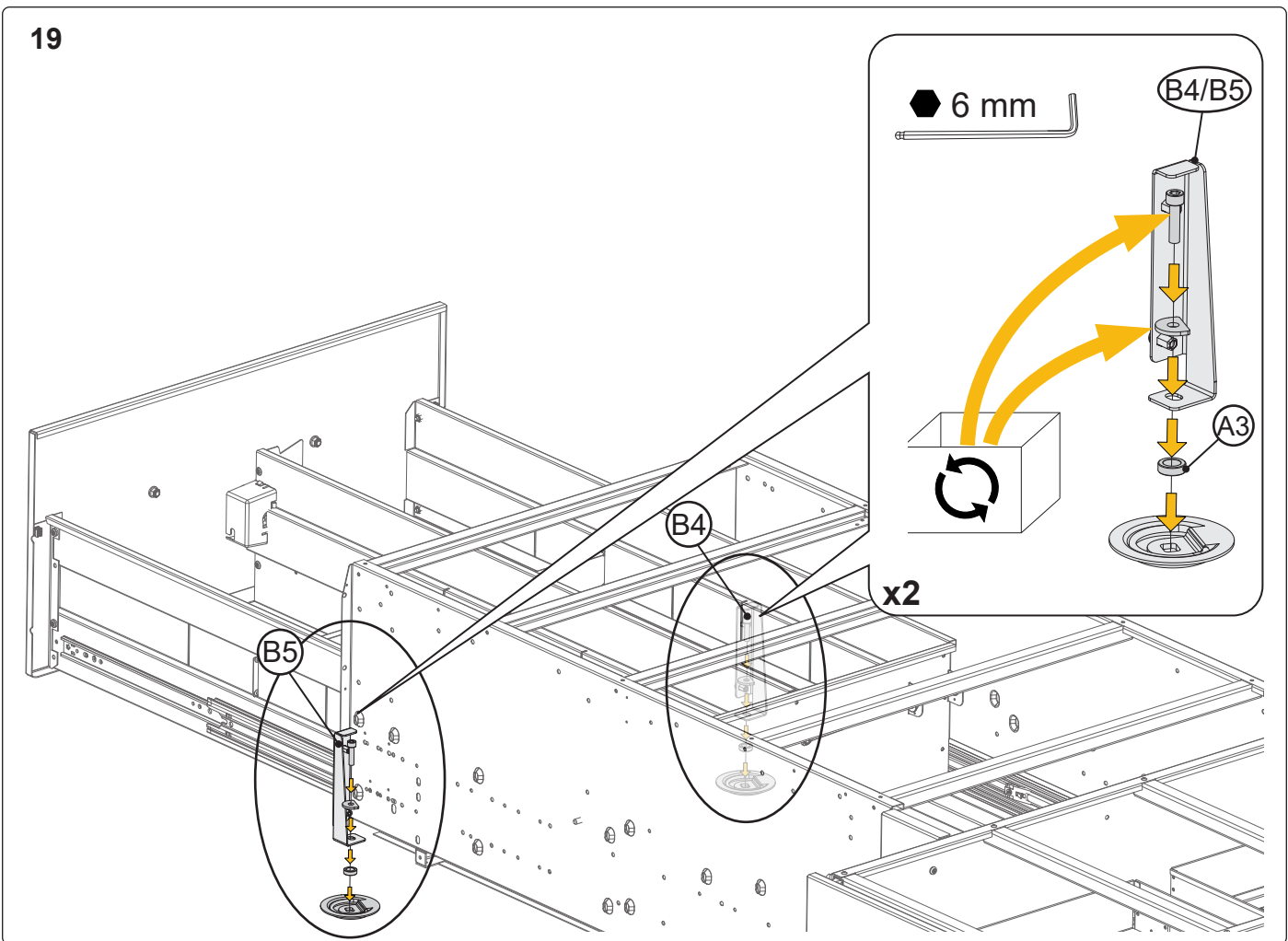
17



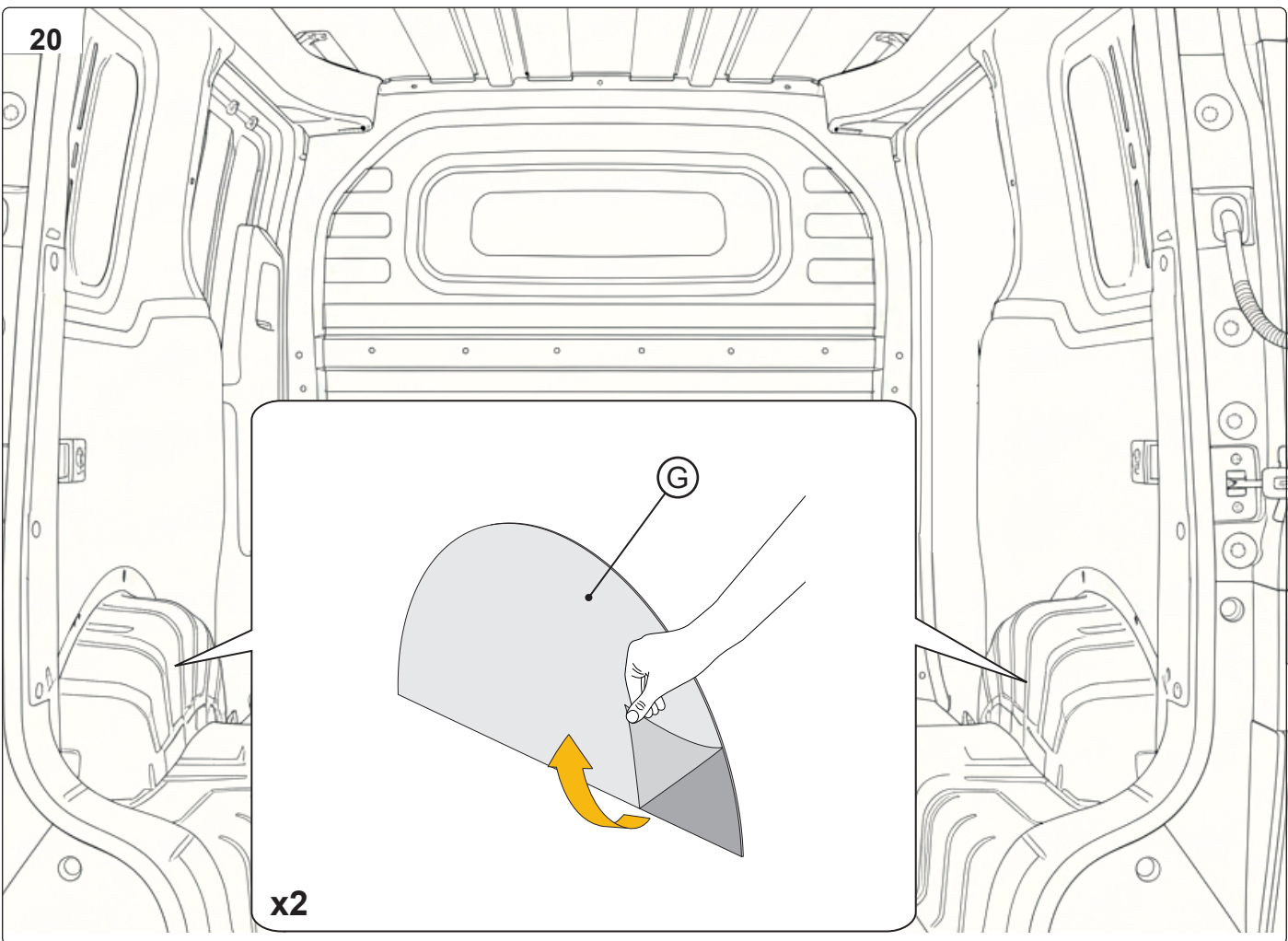
18



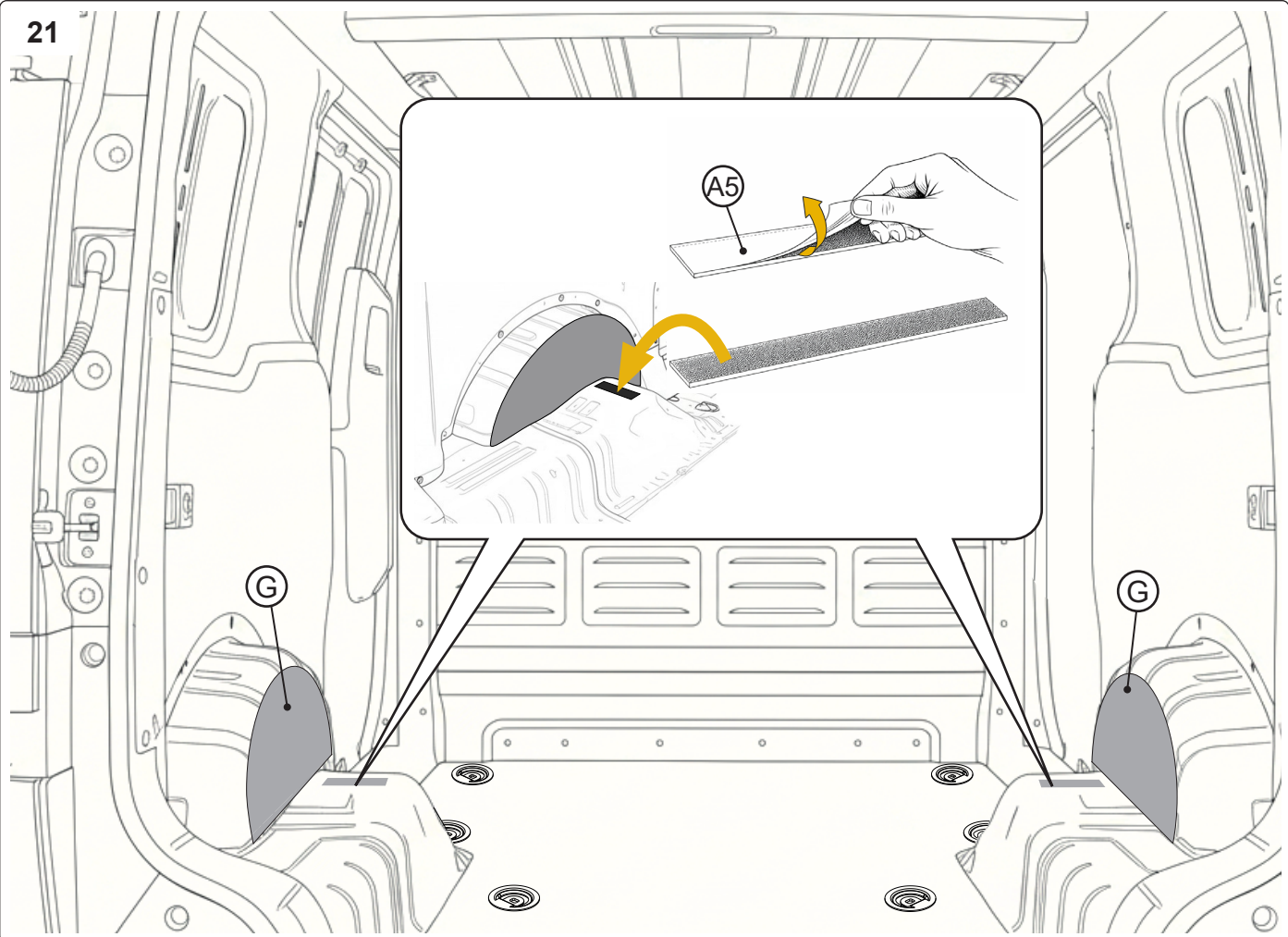
19



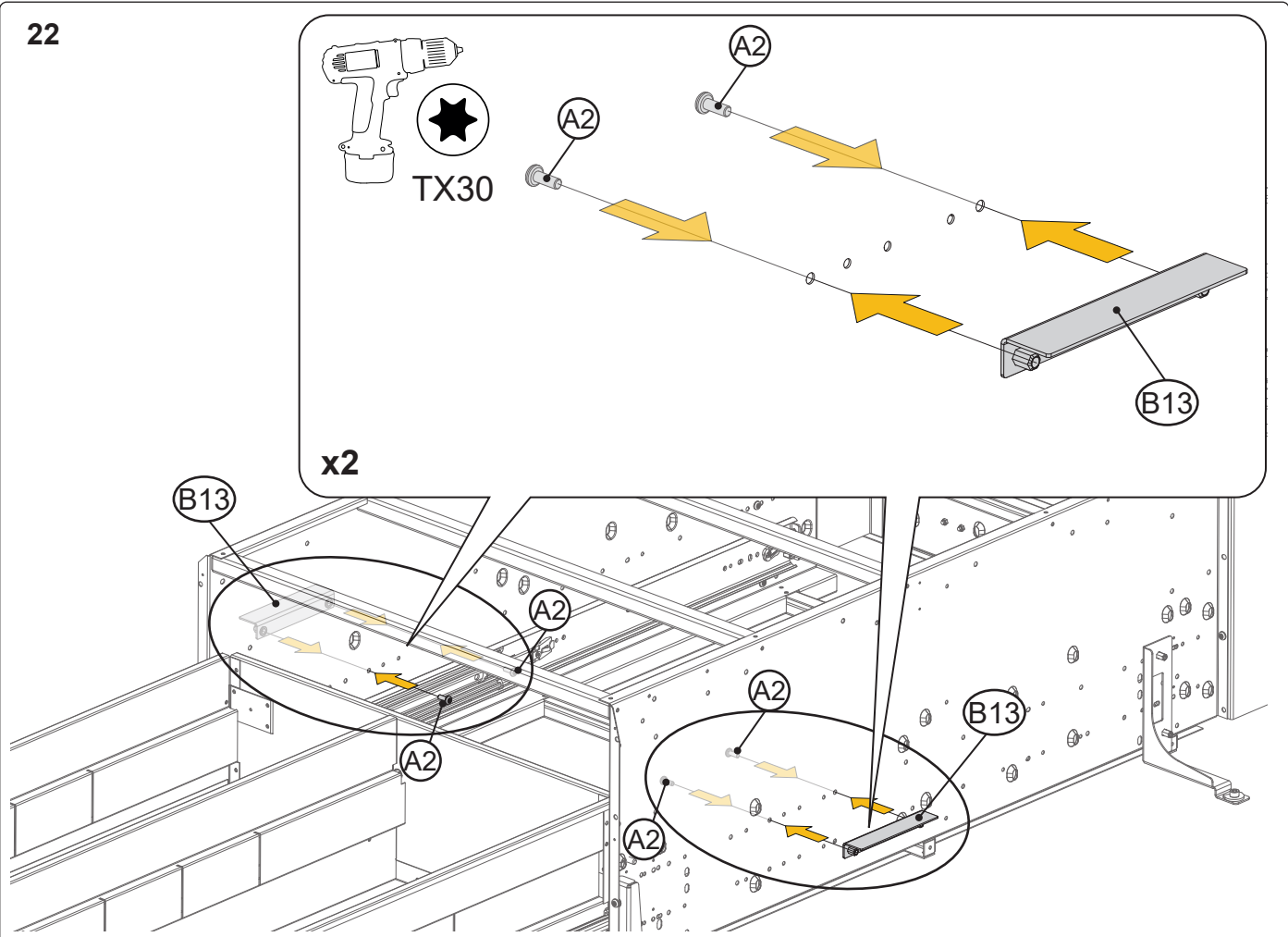
20



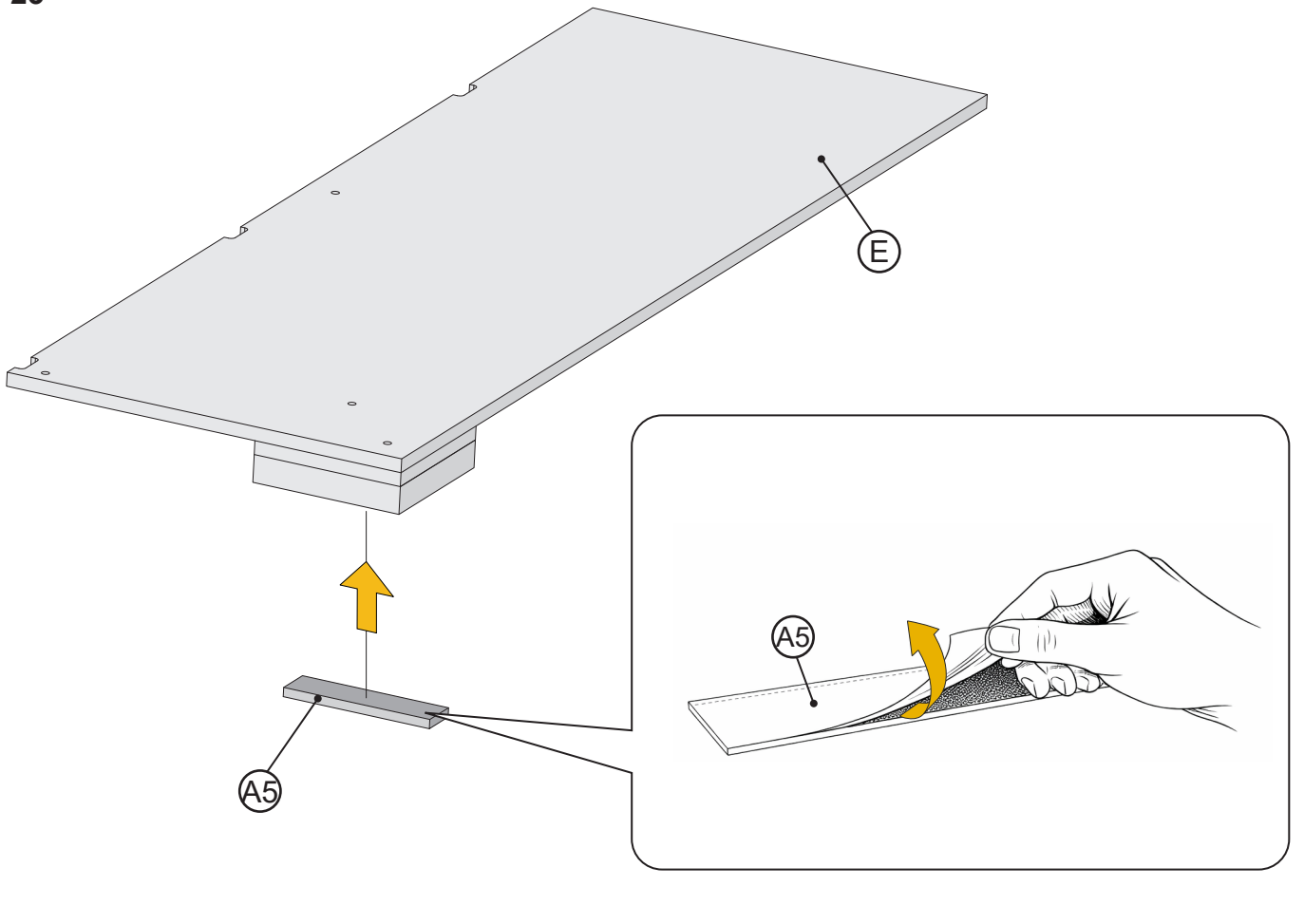
21



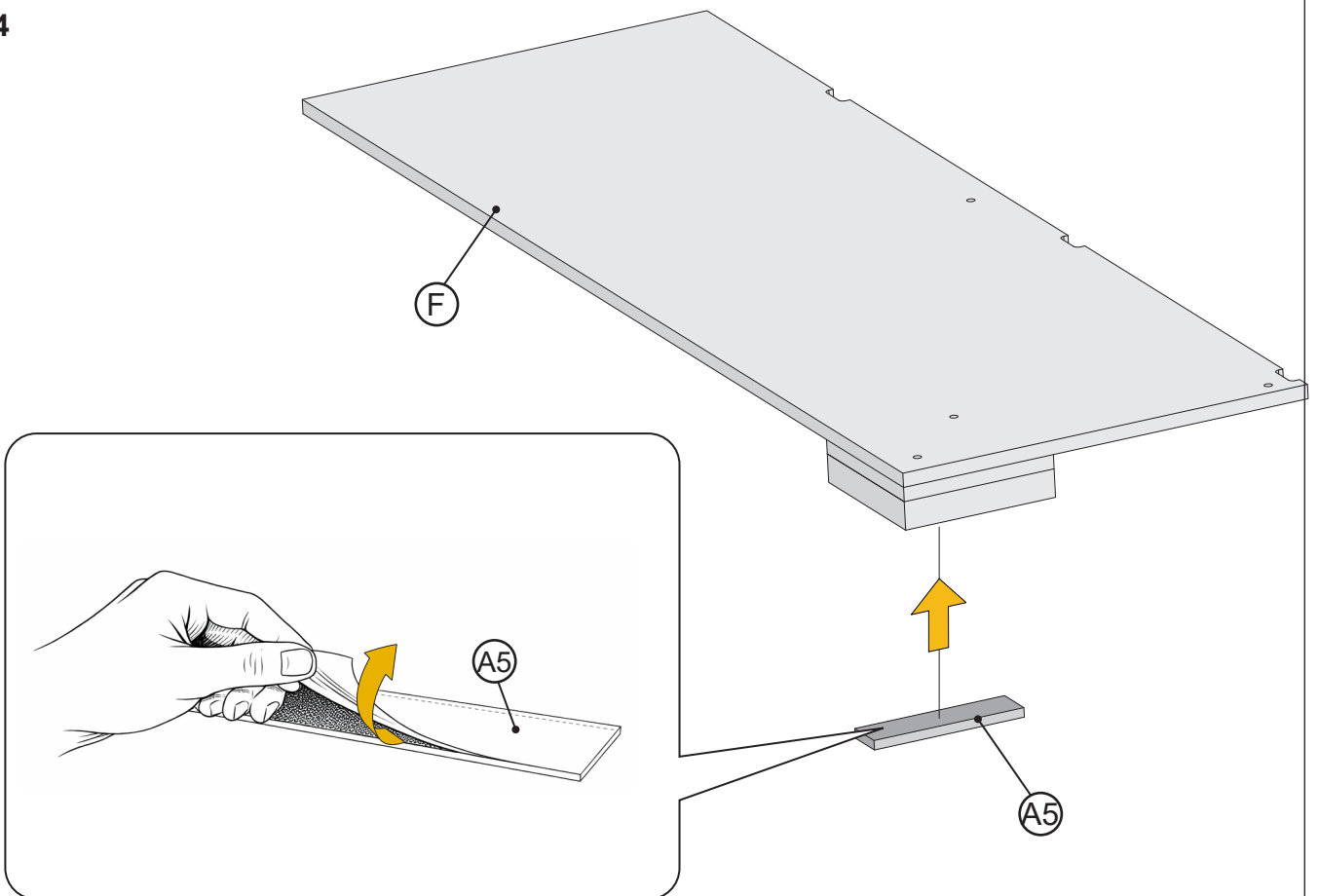
22



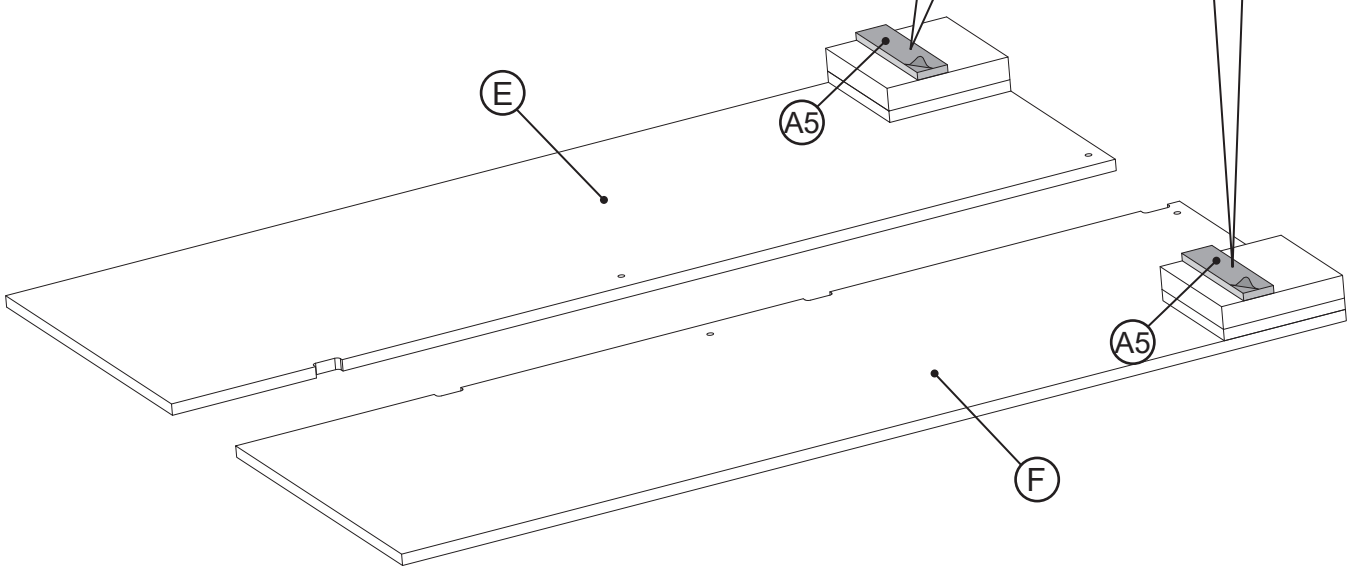
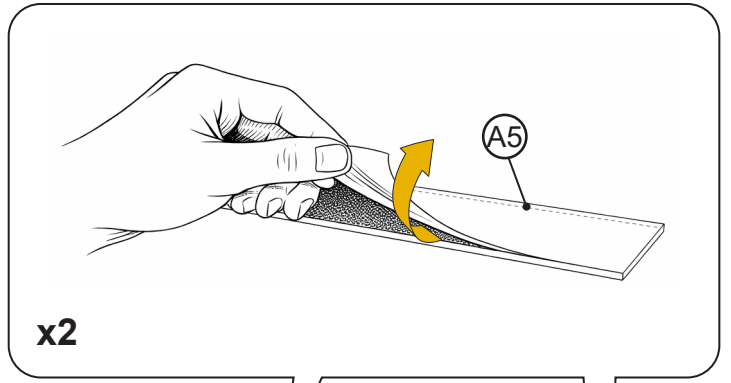
23



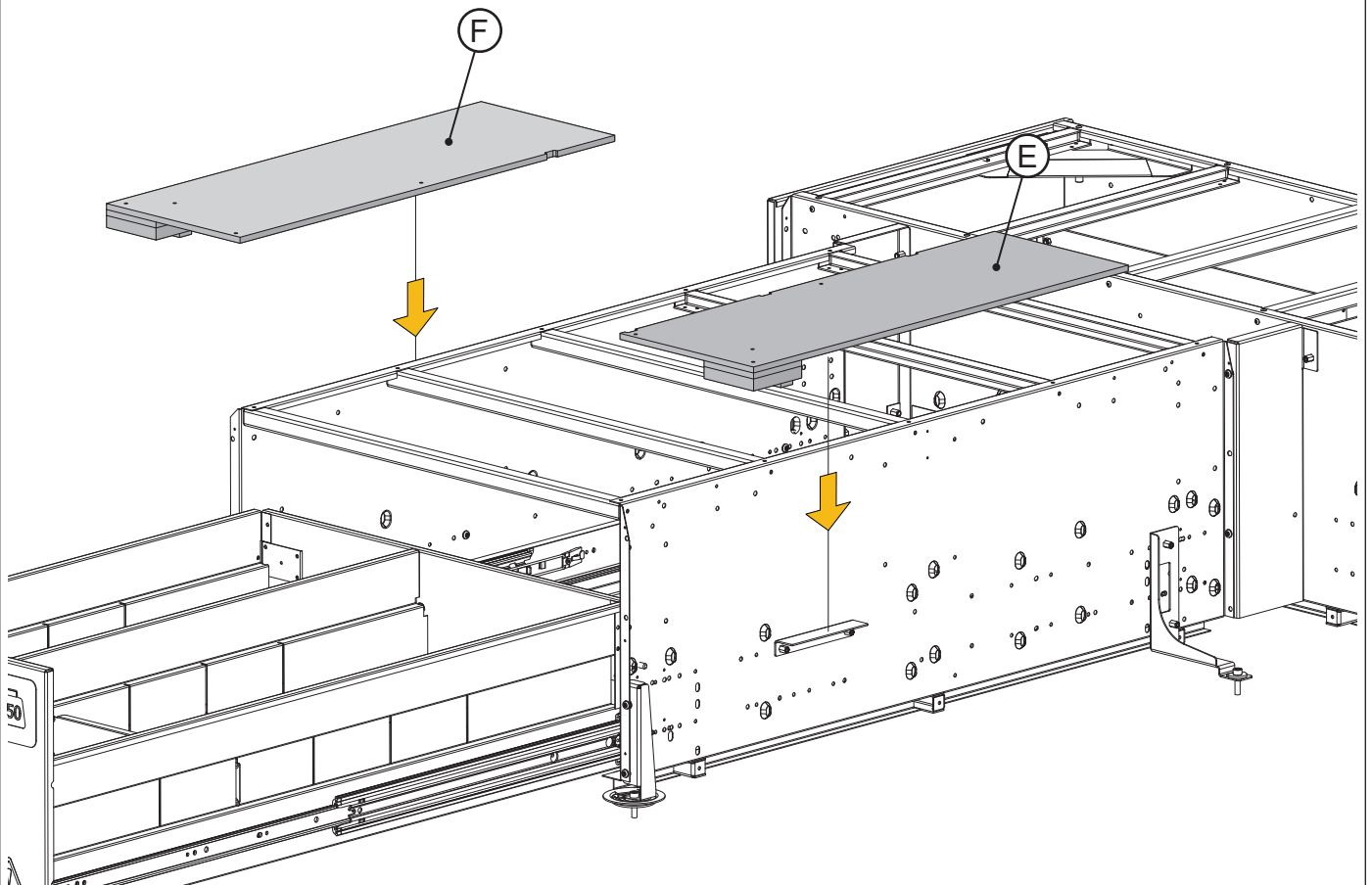
24



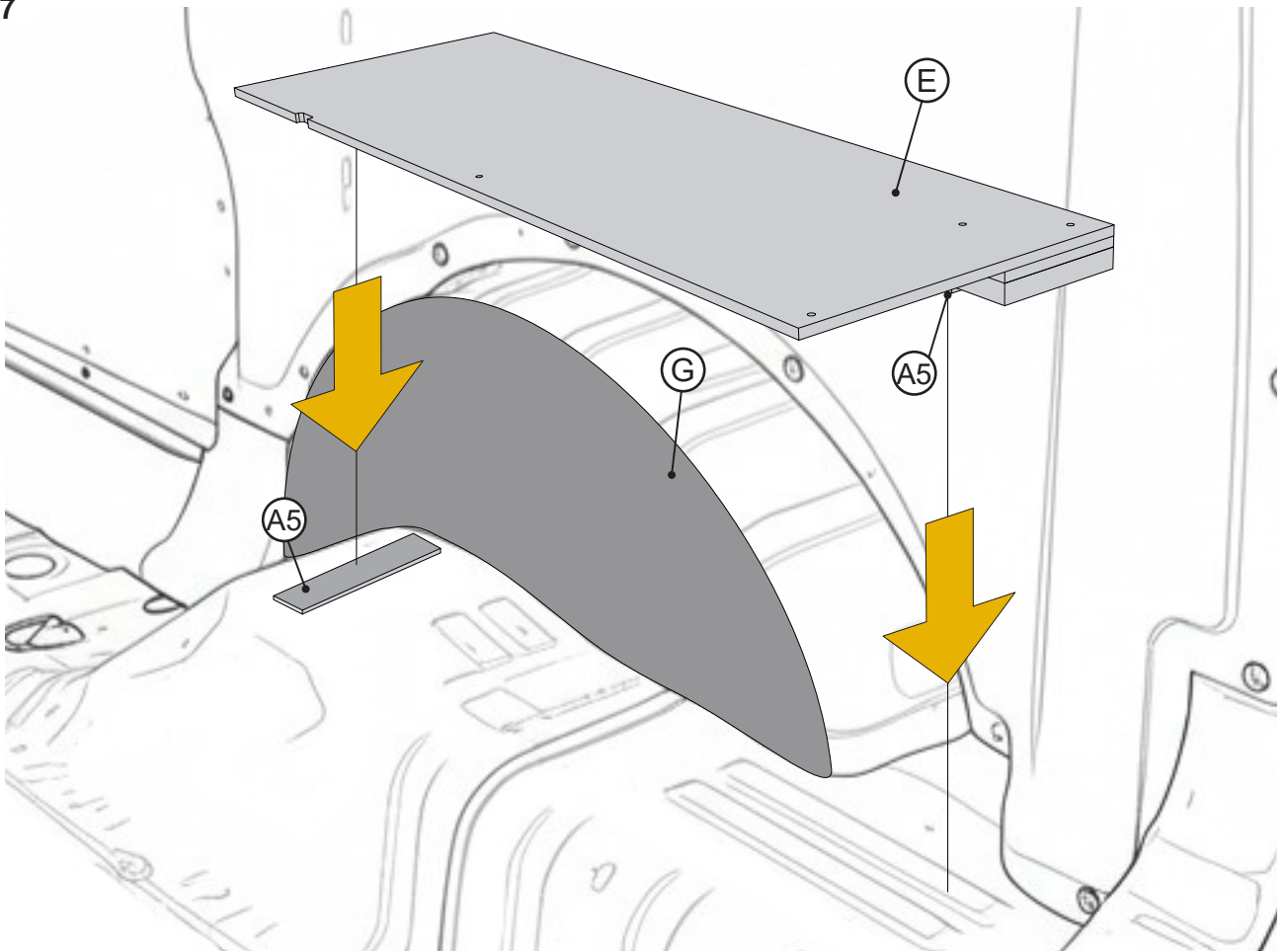
25



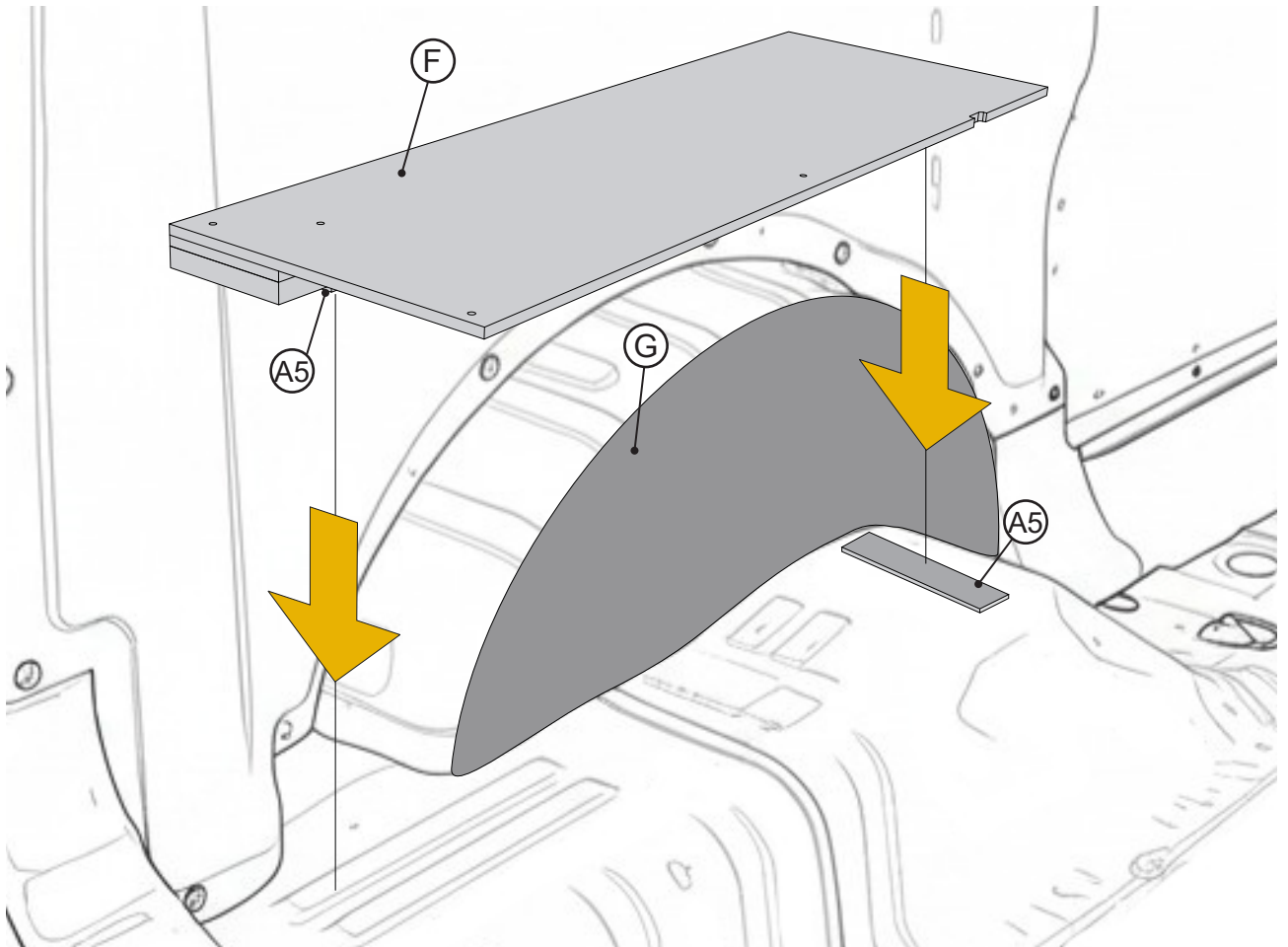
26



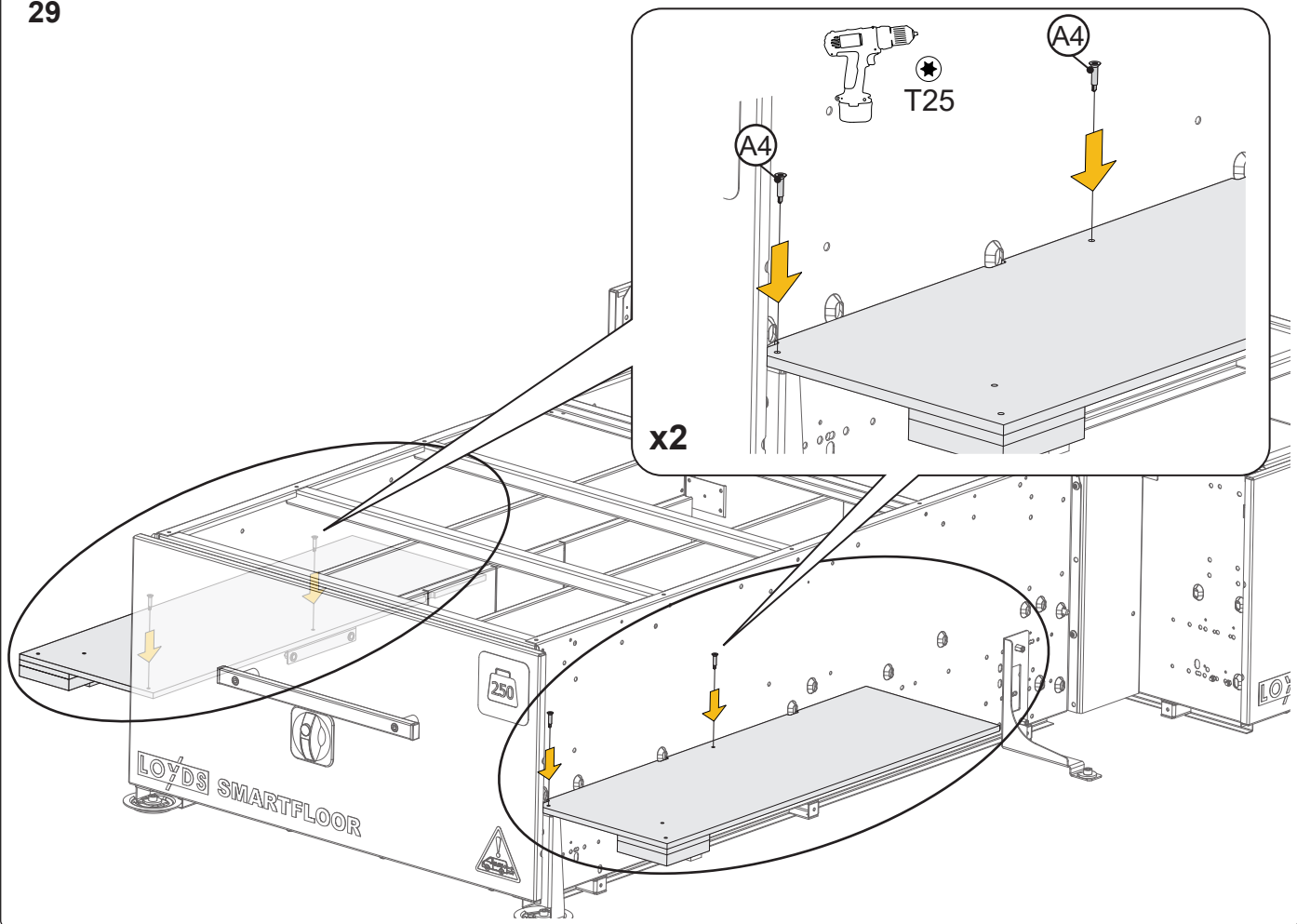
27



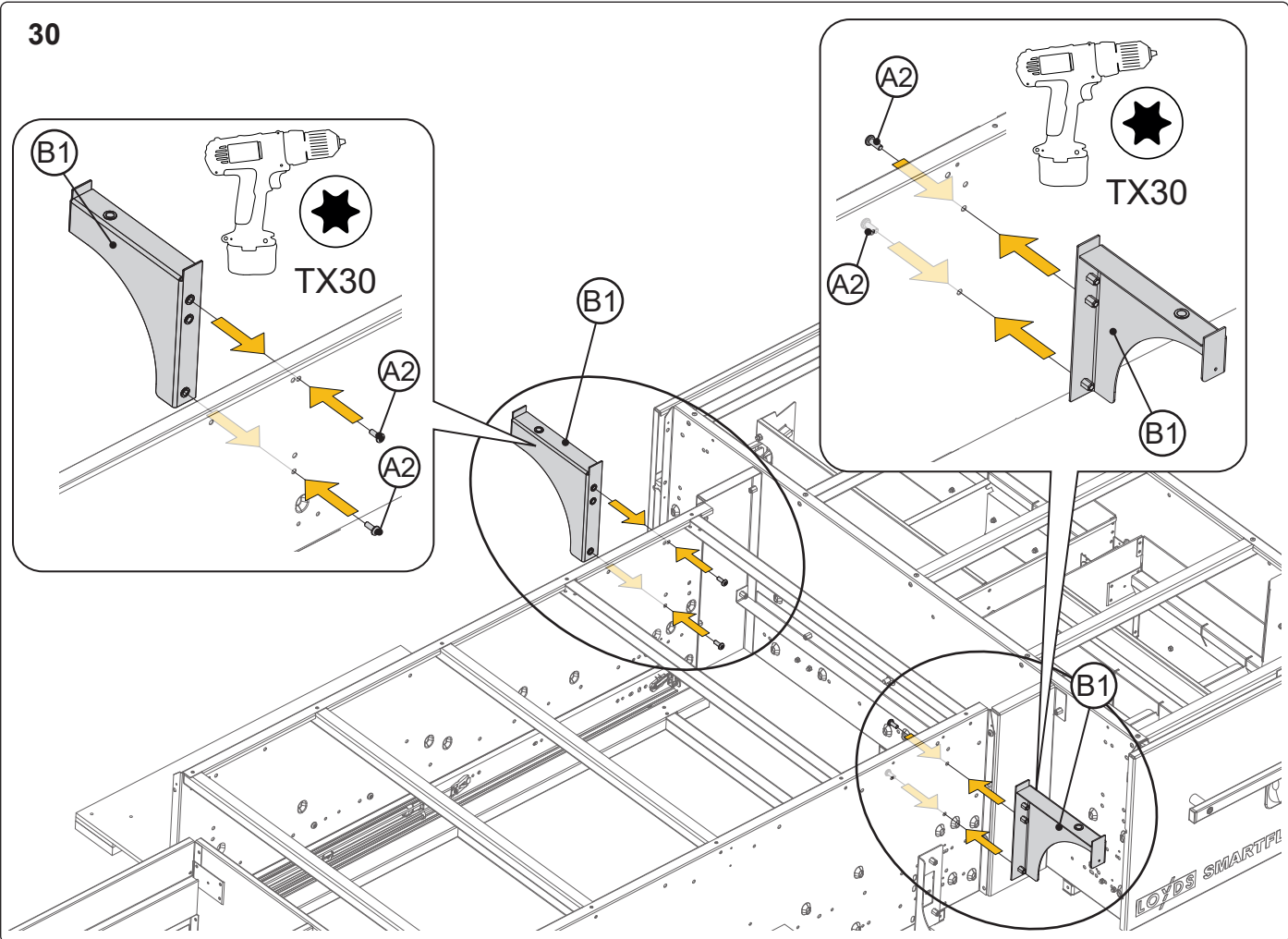
28



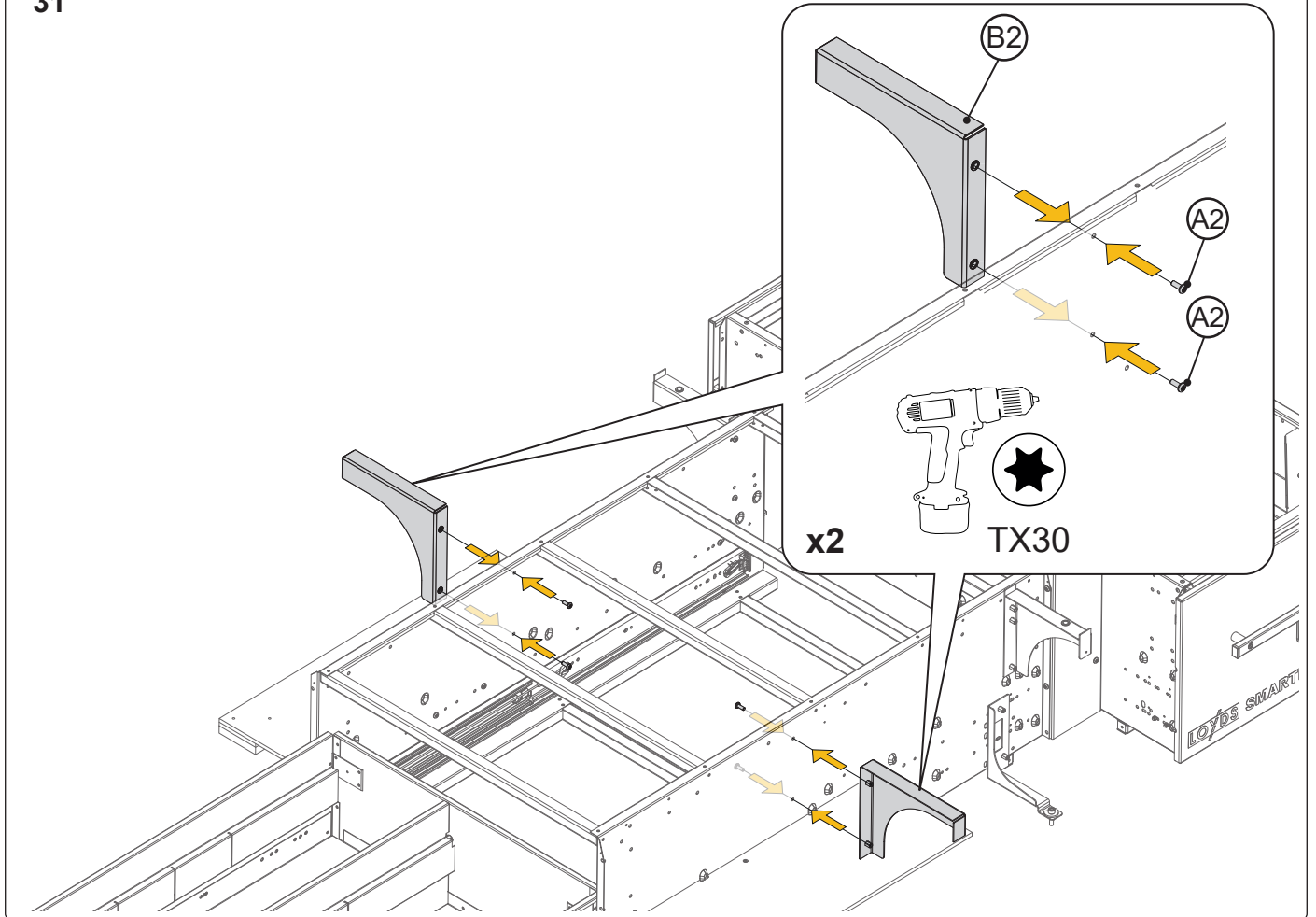
29



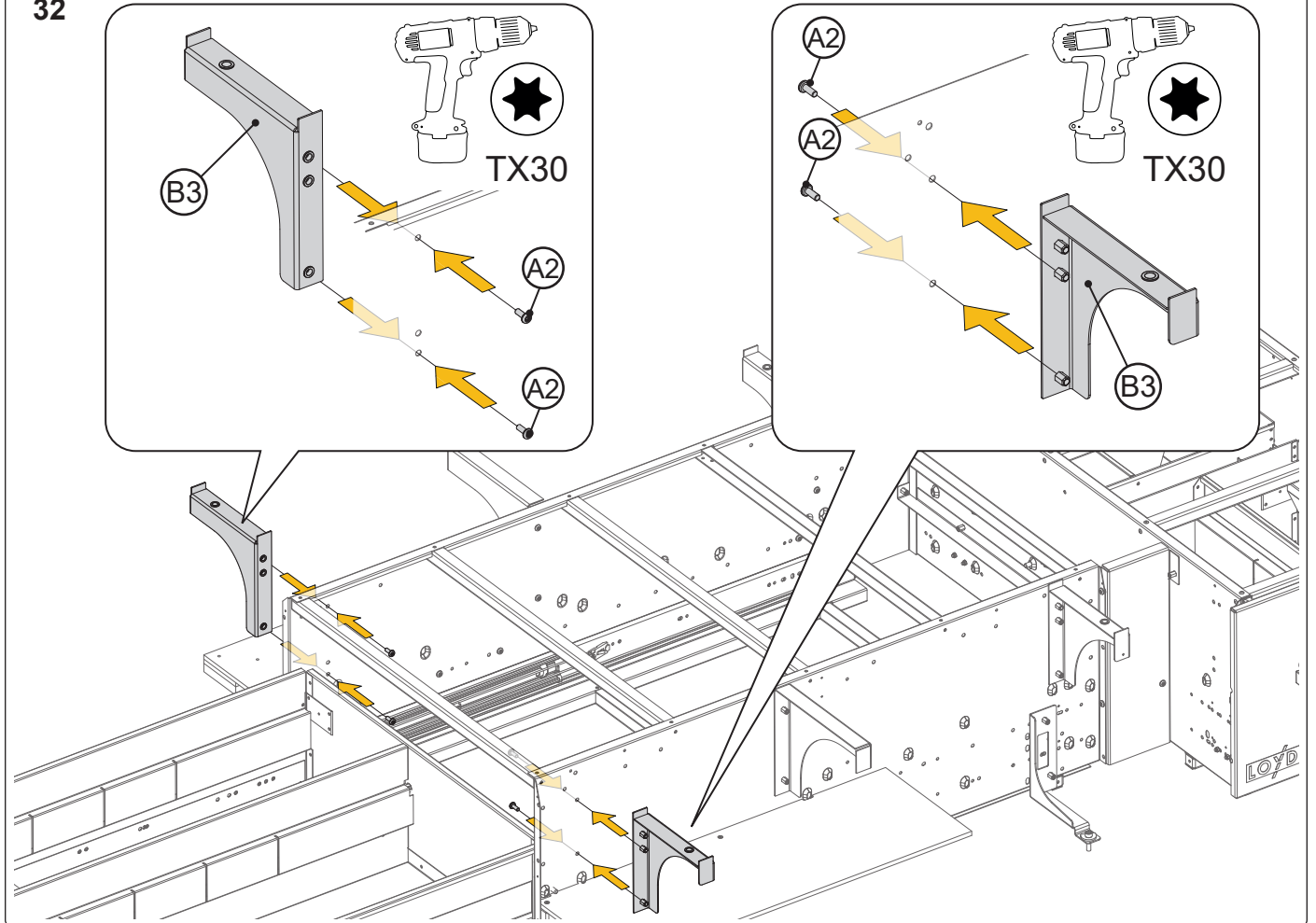
30



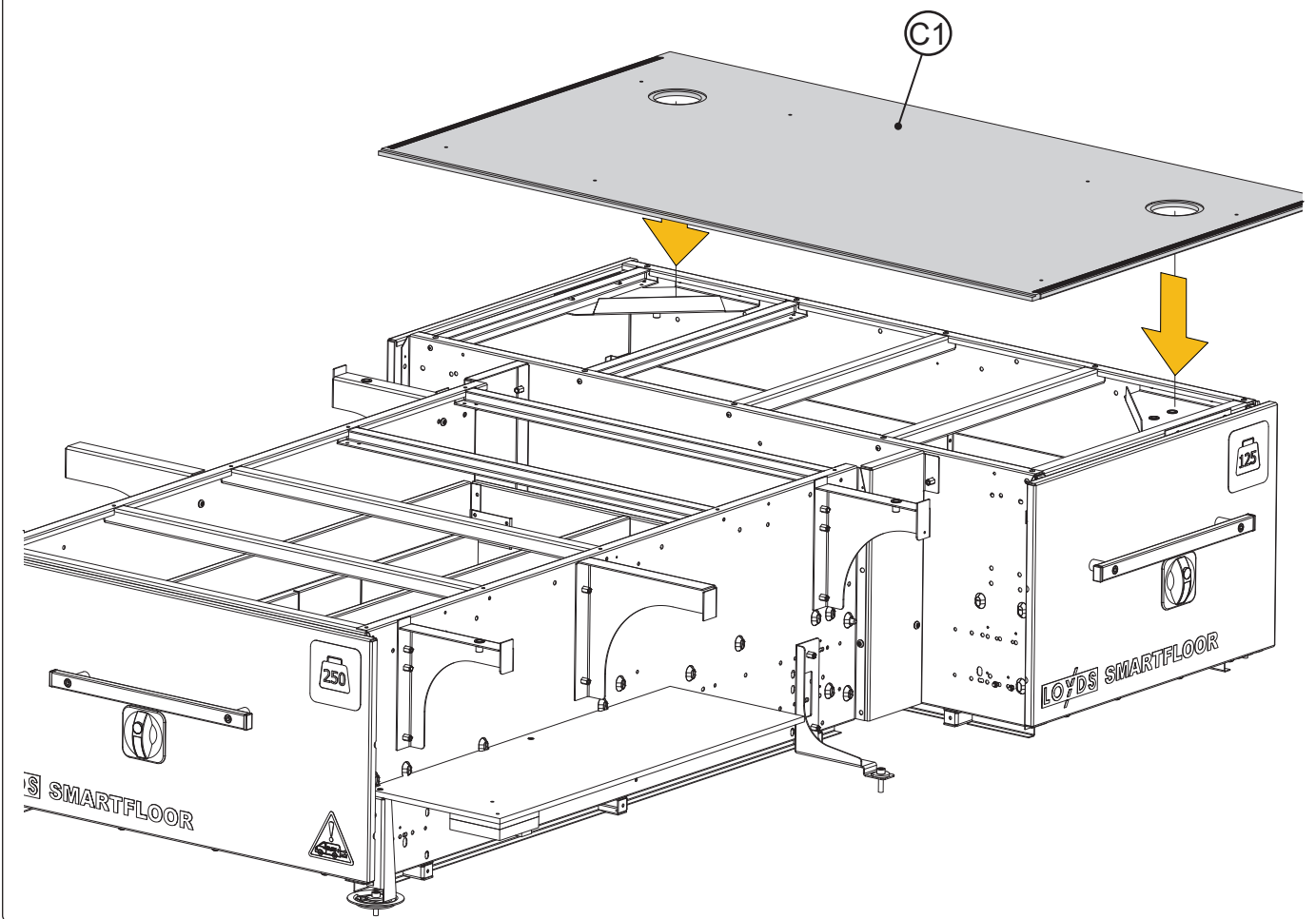
31



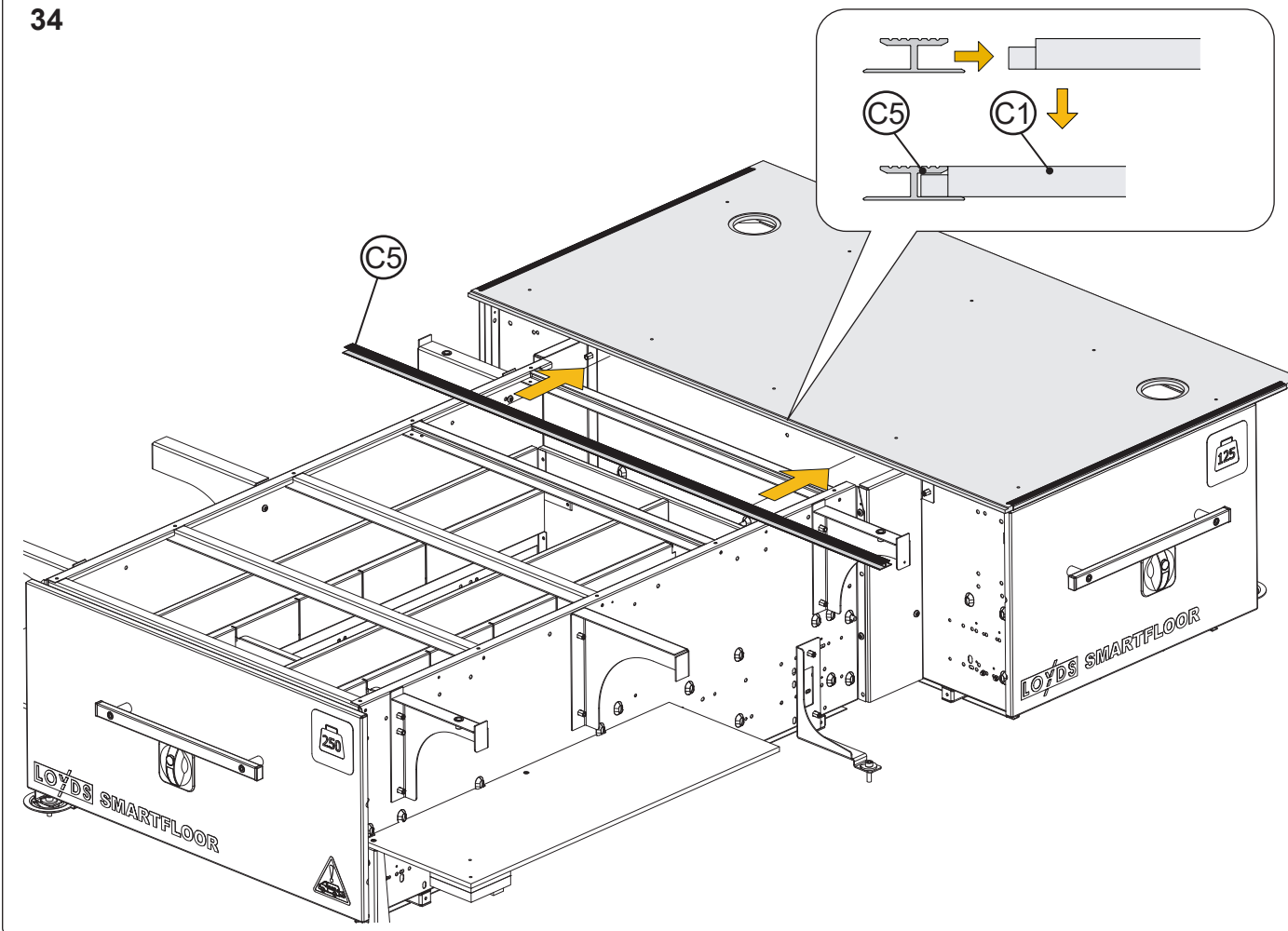
32



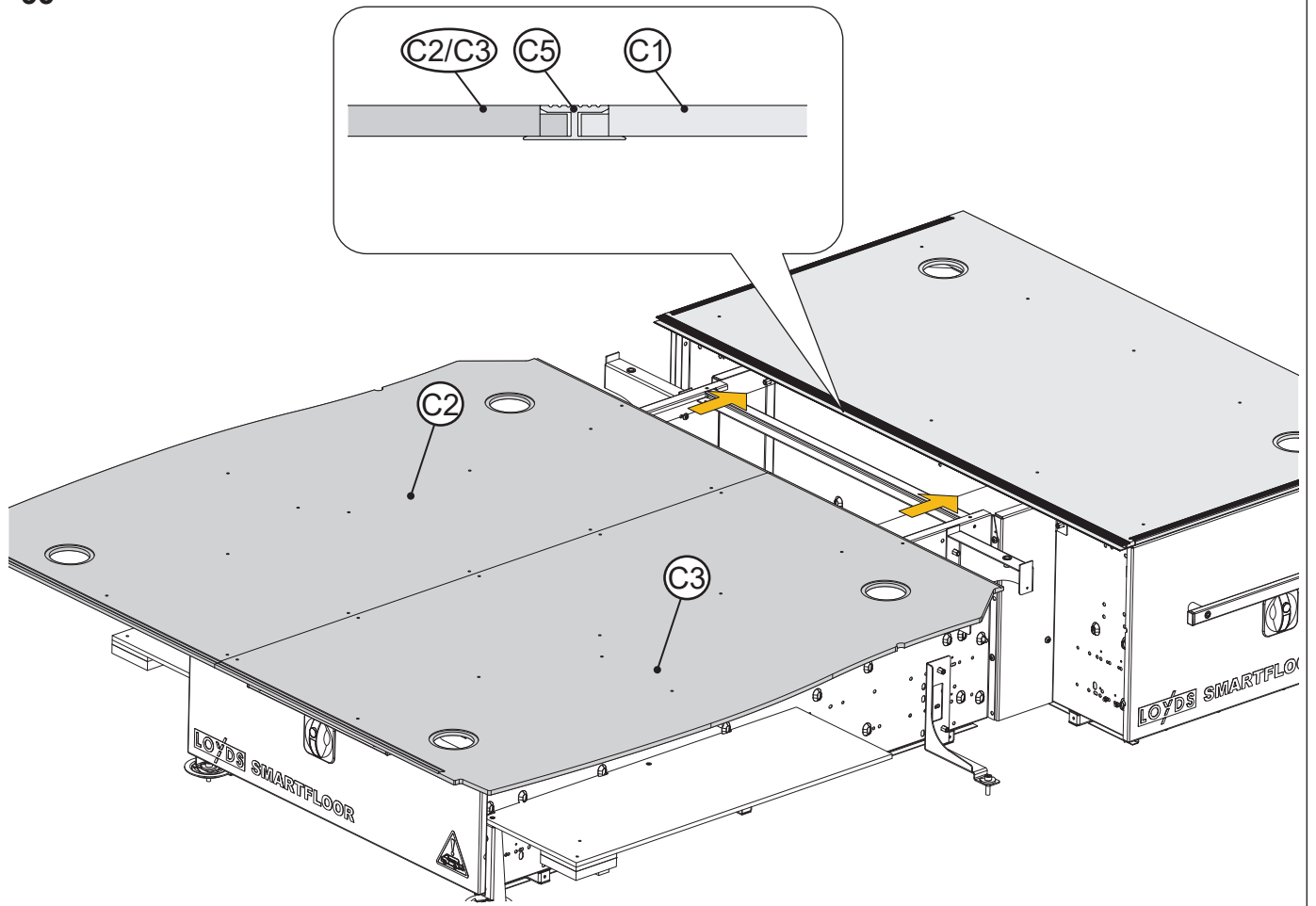
33



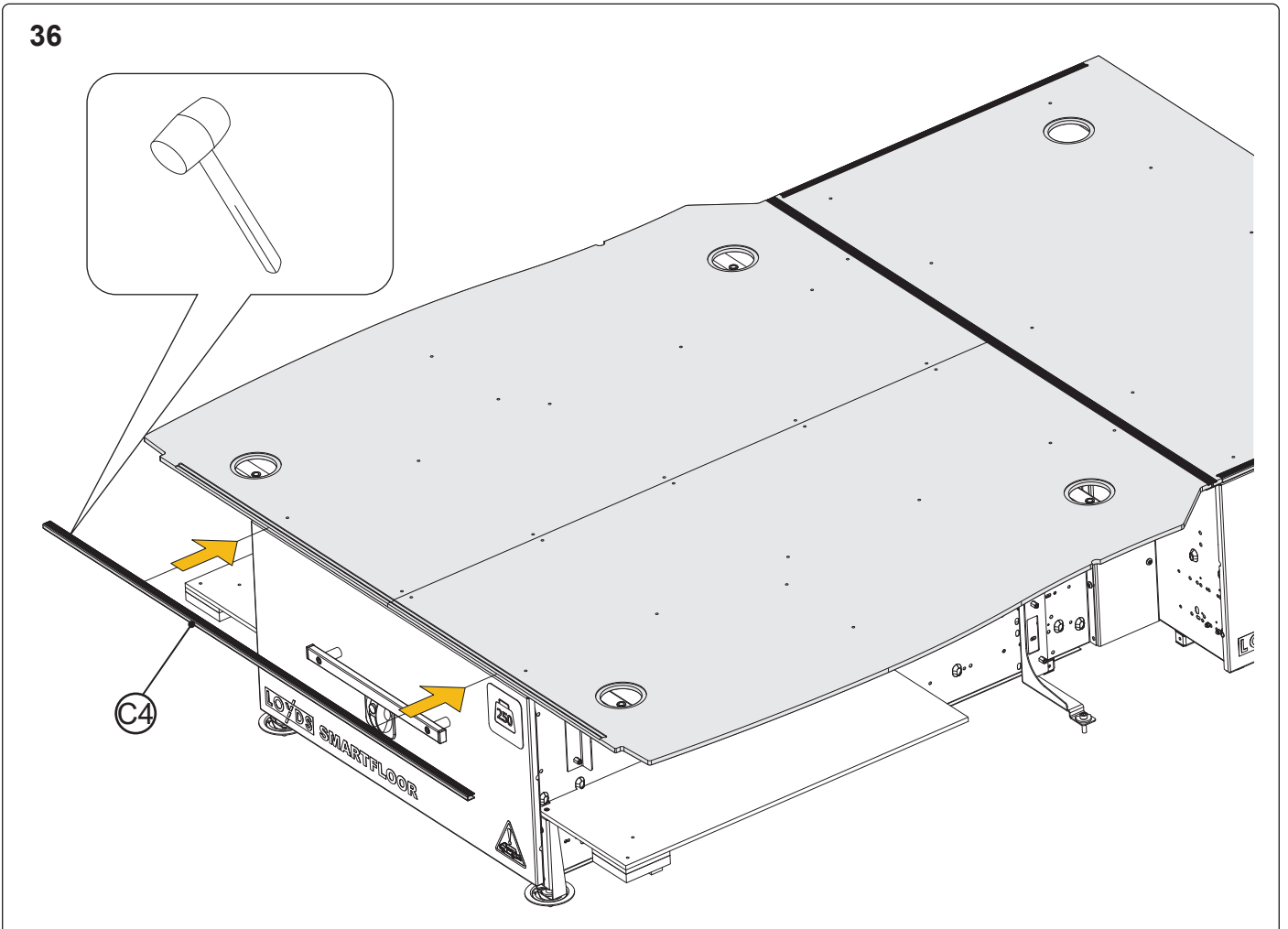
34



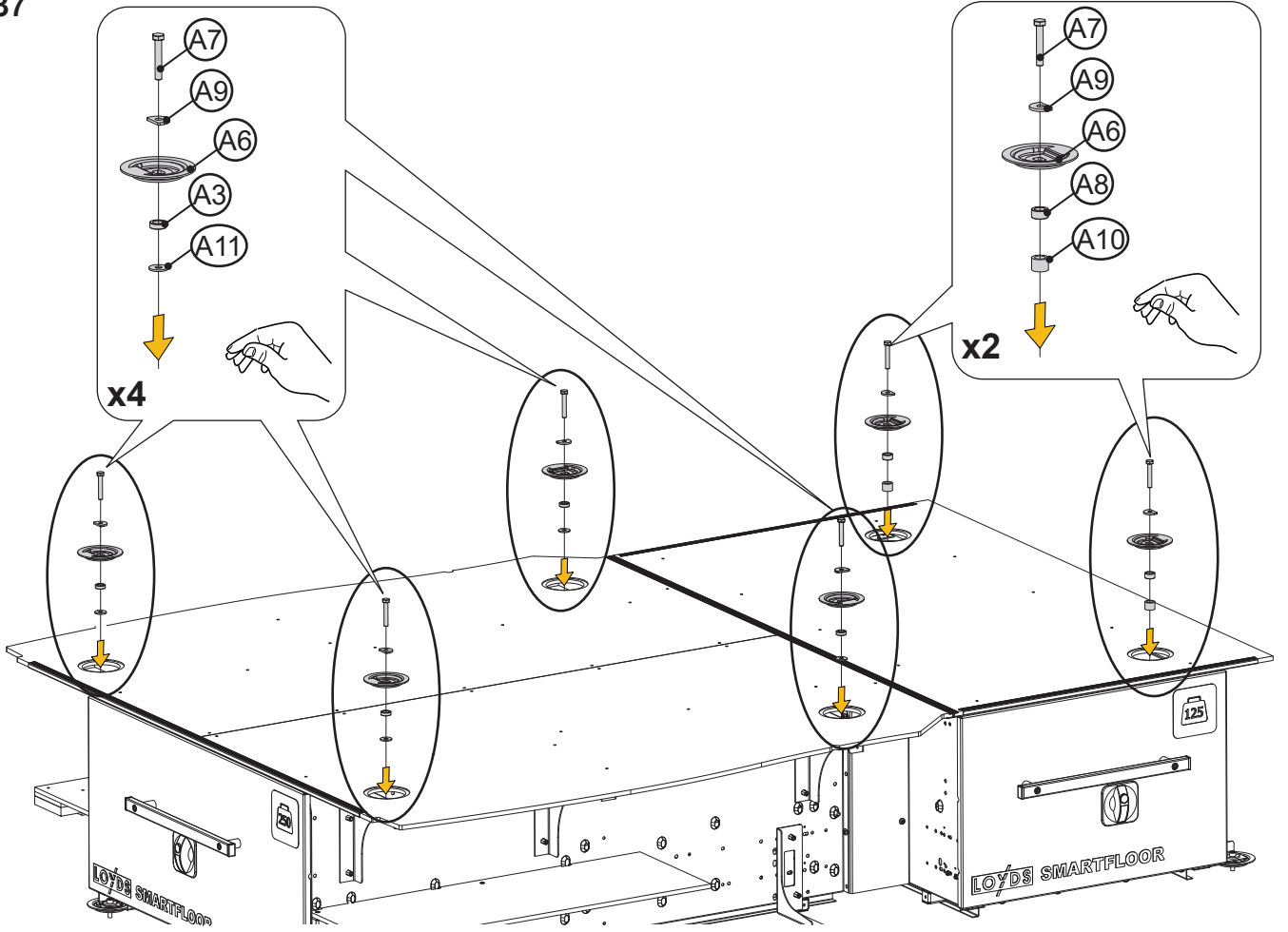
35



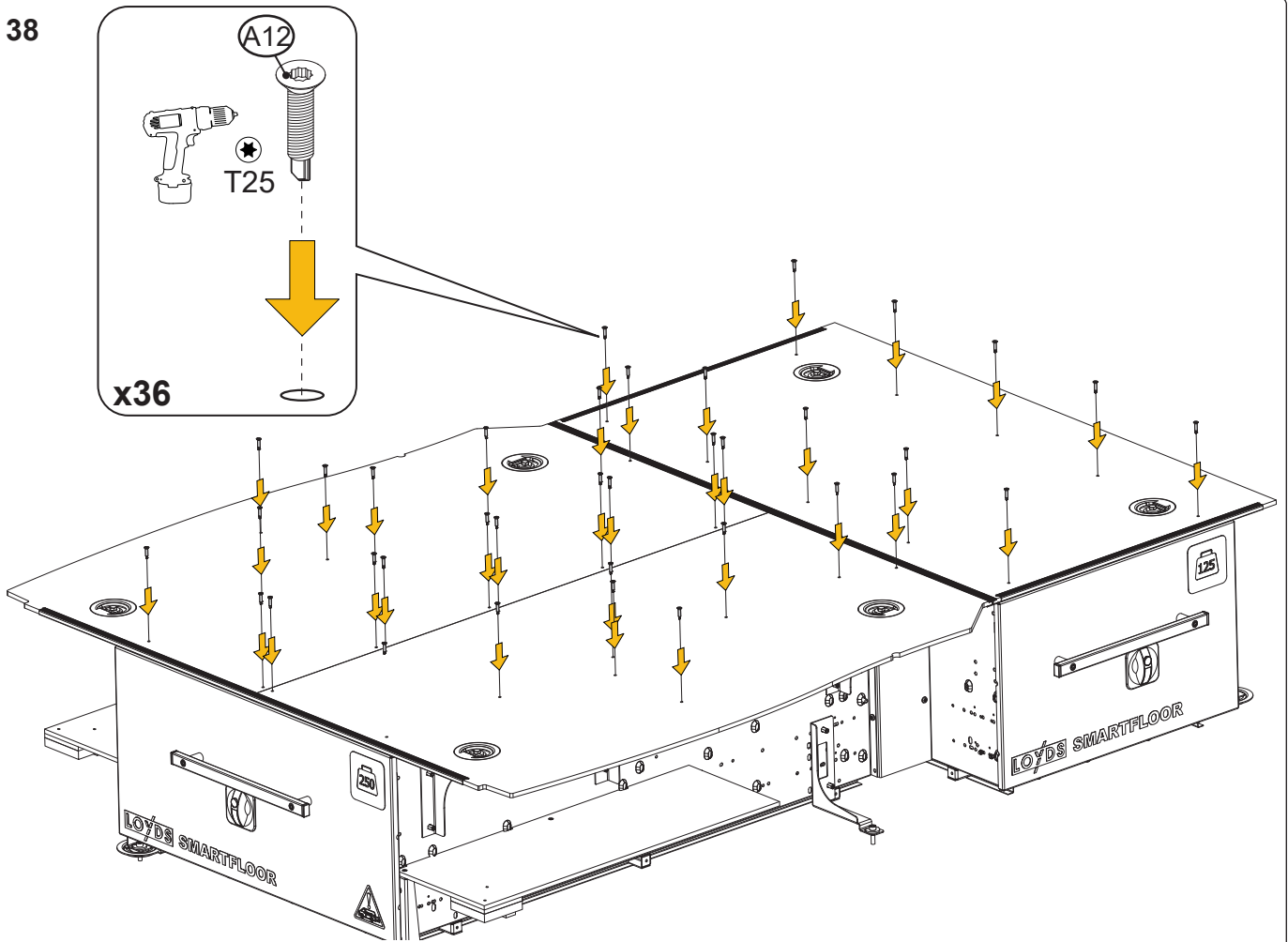
36



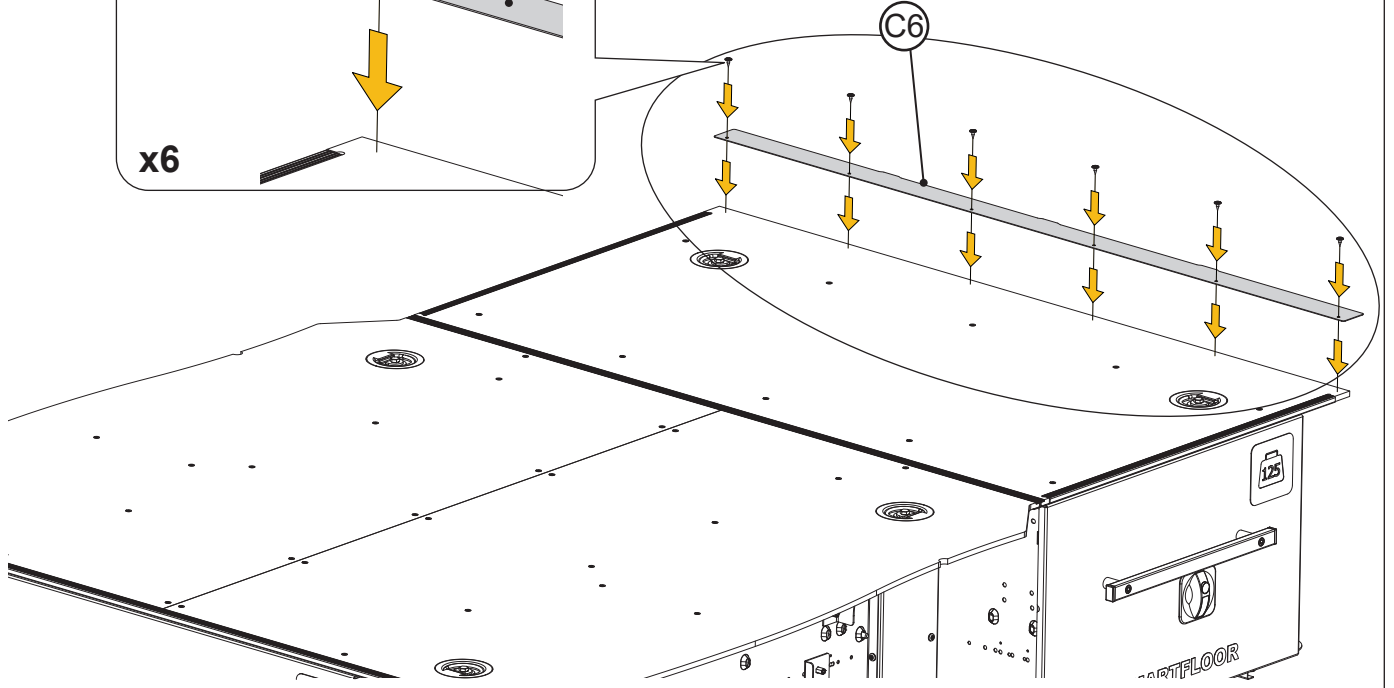
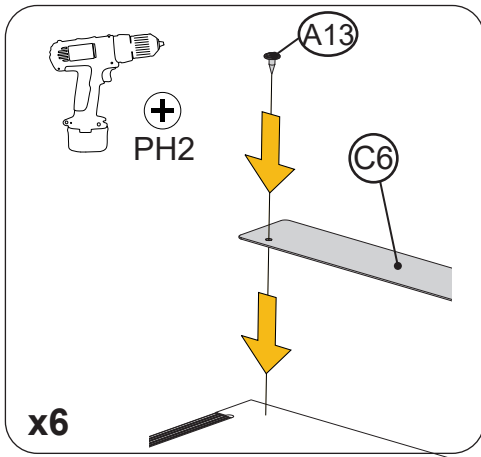
37



38



39



40

